

PARTS LIST

[RX-6010RBK]

[RX-6012RSL]

* All printed circuit boards and its assemblies are not available as service parts.

Area suffix

B ----- U.K.
 E ----- Continental Europe
 EN ----- Northern Europe

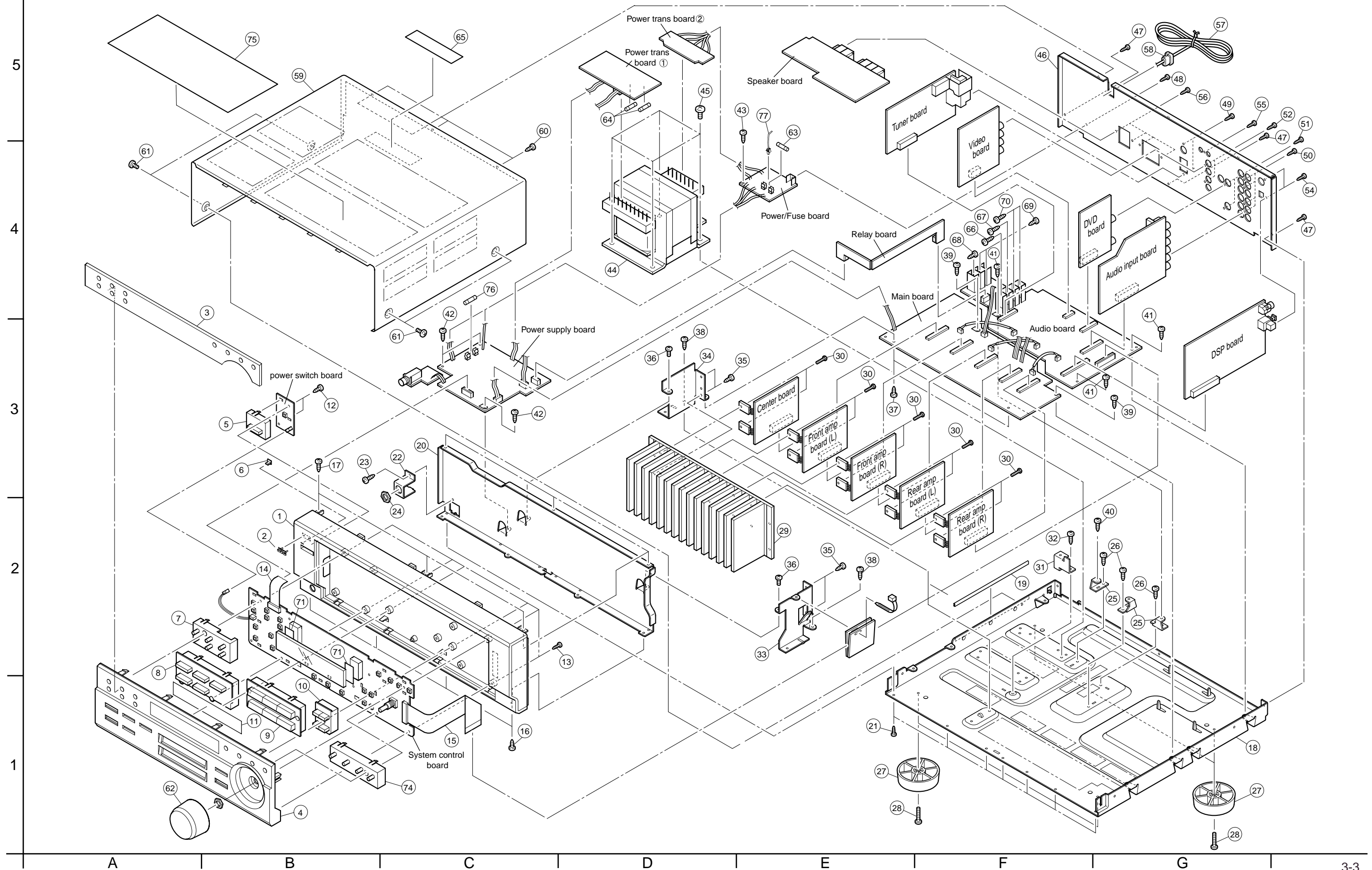
- Contents -

Exploded view of general assembly and parts list	3- 3
Electrical parts list	3- 5
Packing materials and accessories parts list	3-18

< M E M O >

Exploded view of general assembly and parts list

Block No. M 1 M M



■ Parts list (General assembly)

Block No. M1MM

△	Item	Parts number	Parts name	Q'ty	Description	Area
	1	LV10457-009A	FRONT PANEL	1	RX-6010RBK	
		LV10457-010A	FRONT PANEL	1	RX-6012RSL	
	2	VJD5429-002SS	JVC MARK	1	RX-6012RSL	
		VJD5429-001SS	JVC MARK	1	RX-6010RBK	
	3	LV20950-002A	LENS	1		
	4	LV10459-004A	SUB PANEL	1	RX-6012RSL	
		LV10459-003A	SUB PANEL	1	RX-6010RBK	
	5	LV32431-004A	POWER BUTTON	1	RX-6010RBK	
		LV32431-002A	POWER BUTTON	1	RX-6012RSL	
	6	LV42096-001A	INDICATOR	1	POWER	
	7	LV20951-001A	PUSH BUTTON	1	TUNER	
	8	LV20919-004A	PUSH BUTTON(C)	1	RX-6012RSL	
		LV20919-003A	PUSH BUTTON	1	RX-6010RBK	
	9	LV20918-001A	PUSH BUTTON	1	RX-6010RBK	
		LV20918-002A	PUSH BUTTON(E)	1	RX-6012RSL	
	10	LV32430-002A	PUSH BUTTON(F)	1	RX-6012RSL	
		LV32430-001A	PUSH BUTTON	1	RX-6010RBK	
	11	LV42095-001A	FL SCREEN	1		
	12	QYSBSF2610Z	SCREW	2	FRONT C.B	
	13	QYSBSF2610Z	SCREW	6	FRONT C.B FL	
	14	QUQ412-1415CJ	FFC WIRE	1		
	15	QUQ412-2538CJ	FFC WIRE	1		
	16	QYSDSG3006Z	SCREW	4	FRONT D	
	17	QYSBSG3006Z	T.SCREW	3	FRONT U	
	18	LV10019-003A	CHASSIS BASE	1		
	19	EXO150010H09S11	FELT SPACER	1	FOR C.BASE	
	20	LV10458-002A	FRONT BRACKET	1		
	21	QYSDSG3006Z	SCREW	7	C.B-F.B	
	22	LV42094-002A	H.P. BKT	1		
	23	QYSBSG3006Z	T.SCREW	1	H.P BKT-F.B	
	24	VKZ4150-001	SPECIAL NUT	1		
	25	E68587-223SM	CB BKT	3		
	26	QYSBST3006Z	T.SCREW	3	C.B-BKT	
	27	QZF6018-001	FOOT	4	RX-6010RBK	
		QZF6018-003	FOOT	4	RX-6012RSL	
	28	QYSBST3010Z	T.SCREW	4	FOOT	
	29	LV20916-002A	HEAT SINK	1		
	30	E73525-003SS	SCREW	10	TR	
	31	LV42098-001A	C.B BKT	1	PRI/SEC C.B	
	32	QYSBST3006Z	T.SCREW	1	C.B BKT	
	33	LV32433-001A	H.S BRACKET(R)	1		
	34	LV32434-001A	H.S BRACKET(L)	1		
	35	QYSBSG3008Z	T.SCREW	4	H.S-BKT	
	36	QYSBSG3006Z	T.SCREW	2	H.S BKT-F.BKT	
	37	QYSBSG3006Z	T.SCREW	2	H.S BKT	
	38	QYSBST3006Z	T.SCREW	2	H.S BKT-CHASSIS	
	39	QYSBSG3006Z	T.SCREW	2	M.C.B	
	40	E65923-003	TAPPING SCREW	1	M.C.B	

■ Parts list (General assembly)

Block No. M1MM

△	Item	Parts number	Parts name	Q'ty	Description	Area
	41	QYSBSG3006Z	T.SCREW	3	H.S-C.B	
	42	QYSBSG3006Z	T.SCREW	3	P.C.B-CHASSIS	
	43	QYSBSG3006Z	T.SCREW	1	C.B-CHASSIS	
△	44	QQT0316-001	POWER TRANSF	1	TAMURA	
	45	QYSDSTL4008Z	SPECIAL SCREW	4	P.TRANS	
	46	LV20915-009A	REAR PANEL	1	RX-6010RBK	
		LV20915-010A	REAR PANEL	1	RX-6012RSL	
	47	QYSBSGY3008M	SPECIAL SCREW	3	R.P-C.BASE	
	48	QYSBSGY3008M	SPECIAL SCREW	1	R.P-ud---	
	49	QYSBSGY3008M	SPECIAL SCREW	2	TUNER	
	50	QYSBSGY3008M	SPECIAL SCREW	4	INPUT	
	51	QYSBSGY3008M	SPECIAL SCREW	2	V AUDIO	
	52	QYSBSGY3008M	SPECIAL SCREW	2	VIDEO	
	54	QYSBSGY3008M	SPECIAL SCREW	2	DIGITAL	
	55	QYSBSGY3008M	SPECIAL SCREW	1	COMP C.B	
	56	QYSBSGY3008M	SPECIAL SCREW	4	SPK C.B	
△	57	QMPN100-200-JD	POWER CORD	1		B
		QMPK150-200-JD	POWER CORD	1		
△	58	QZW0033-001	STRAIN RELIEF	1		
	59	LE20131-011A/S/	TOP COVER	1	RX-6012RSL	
		LE20131-010A/S/	TOP COVER	1	RX-6010RBK	
	60	QYSBSGY3008M	SPECIAL SCREW	3		
	61	E406308-003	SPECIAL SCREW	4	RX-6010RBK	
		E406308-004	SPECIAL SCREW	4	RX-6012RSL	
	62	LV32435-003A	VOLUME KNOB	1	RX-6010RBK	
		LV32435-004A	VOLUME KNOB	1	RX-6012RSL	
△	63	QMF51E2-2R5-J1	FUSE	1	F201	
△	64	QMF51E2-2R0-J1	FUSE	2	F202 F203	
	65	E409396-001	CAUTION LABEL	1		
	66	QYSBSG3008E	T.SCREW	1		
	67	QYSBSG3008E	T.SCREW	1		
	68	QYSBSG3008E	T.SCREW	1		
	69	QYSBSG3008E	T.SCREW	2		
	70	QYSBSG3008E	T.SCREW	2		
	71	LV30225-097A	SPACER	2		
	74	LV20952-001A	PUSH BUTTON	1	RDS	
	75	LV30077-003A	PROTECT SHEET	1	RX-6012RSL	
		LV30077-001A	PROTECT SHEET	1	RX-6010RBK	
△	76	QMF51E2-R10-J1	FUSE 90	1	F205	
	77	E307572-001	FASTENER	1		

■ Electrical parts list (Power amp board)

Block No. 01

▲	Item	Parts number	Parts name	Remarks	Area	▲	Item	Parts number	Parts name	Remarks	Area
	C 201	QFLC2AJ-104Z	M CAPACITOR	.10MF 5% 100V			C 812	QCS31HJ-100Z	C CAPACITOR	10PF 5% 50V	
	C 202	QFLC2AJ-104Z	M CAPACITOR	.10MF 5% 100V			C 813	QFLC1HJ-103Z	M CAPACITOR	.010MF 5% 50V	
	C 203	QFLC2AJ-104Z	M CAPACITOR	.10MF 5% 100V			C 814	QFLC1HJ-103Z	M CAPACITOR	.010MF 5% 50V	
	C 204	QETM1VM-228	E CAPACITOR	2200MF 20% 35V			C 815	QCS32HJ-330Z	C CAPACITOR	33PF 5% 500V	
	C 205	QETM1VM-108	E CAPACITOR	1000MF 20% 35V			C 816	QCS32HJ-330Z	C CAPACITOR	33PF 5% 500V	
	C 206	QFLC1HJ-473Z	M CAPACITOR	.047MF 5% 50V			C 817	QEHR1HM-225Z	E CAPACITOR	2.2MF 20% 50V	
	C 207	QFLC1HJ-473Z	M CAPACITOR	.047MF 5% 50V			C 818	QEHR1HM-225Z	E CAPACITOR	2.2MF 20% 50V	
	C 208	QFLC2AJ-472Z	M CAPACITOR	4700PF 5% 100V			C 819	QEHR2AM-106Z	E CAPACITOR	10MF 20% 100V	
	C 209	QETN1EM-477Z	E CAPACITOR	470MF 20% 25V			C 820	QEHR2AM-106Z	E CAPACITOR	10MF 20% 100V	
▲	C 210	QCZ9104-472	C CAPACITOR	4700PF			C 821	QCS32HJ-470Z	C CAPACITOR	47PF 5% 500V	
	C 212	QETN1CM-477Z	E CAPACITOR	470MF 20% 16V			C 822	QCS32HJ-470Z	C CAPACITOR	47PF 5% 500V	
	C 213	QETM0JM-228	E CAPACITOR	2200MF 20% 6.3V			C 823	QCS32HJ-470Z	C CAPACITOR	47PF 5% 500V	
	C 218	QETN1HM-105Z	E CAPACITOR	1.0MF 20% 50V			C 824	QCS32HJ-470Z	C CAPACITOR	47PF 5% 500V	
	C 221	QCS31HJ-471Z	C CAPACITOR	470PF 5% 50V			C 825	QFLC1HJ-473Z	M CAPACITOR	.047MF 5% 50V	
	C 301	QEHR1HM-106Z	E CAPACITOR	10MF 20% 50V			C 826	QFLC1HJ-473Z	M CAPACITOR	.047MF 5% 50V	
	C 302	QEHR1HM-106Z	E CAPACITOR	10MF 20% 50V			C 827	QFLC1HJ-473Z	M CAPACITOR	.047MF 5% 50V	
	C 303	QCS31HJ-271Z	C CAPACITOR	270PF 5% 50V			C 828	QFLC1HJ-473Z	M CAPACITOR	.047MF 5% 50V	
	C 304	QCS31HJ-271Z	C CAPACITOR	270PF 5% 50V			C 829	QETN1HM-476Z	E CAPACITOR	47MF 20% 50V	
	C 305	QCS31HJ-221Z	C CAPACITOR	220PF 5% 50V			C 830	QETN1HM-476Z	E CAPACITOR	47MF 20% 50V	
	C 306	QCS31HJ-221Z	C CAPACITOR	220PF 5% 50V			C 901	QEHR1HM-106Z	E CAPACITOR	10MF 20% 50V	
	C 307	QCB31HK-152Z	C CAPACITOR	1500PF 10% 50V			C 903	QCS31HJ-271Z	C CAPACITOR	270PF 5% 50V	
	C 308	QCB31HK-152Z	C CAPACITOR	1500PF 10% 50V			C 905	QCS31HJ-221Z	C CAPACITOR	220PF 5% 50V	
	C 309	QETN1EM-107Z	E CAPACITOR	100MF 20% 25V			C 907	QCB31HK-152Z	C CAPACITOR	1500PF 10% 50V	
	C 310	QETN1EM-107Z	E CAPACITOR	100MF 20% 25V			C 909	QETN1EM-107Z	E CAPACITOR	100MF 20% 25V	
	C 311	QCS31HJ-100Z	C CAPACITOR	10PF 5% 50V			C 911	QCS31HJ-100Z	C CAPACITOR	10PF 5% 50V	
	C 312	QCS31HJ-100Z	C CAPACITOR	10PF 5% 50V			C 913	QFLC1HJ-103Z	M CAPACITOR	.010MF 5% 50V	
	C 313	QFLC1HJ-103Z	M CAPACITOR	.010MF 5% 50V			C 915	QCS32HJ-330Z	C CAPACITOR	33PF 5% 500V	
	C 314	QFLC1HJ-103Z	M CAPACITOR	.010MF 5% 50V			C 917	QEHR1HM-225Z	E CAPACITOR	2.2MF 20% 50V	
	C 315	QCS32HJ-220Z	C CAPACITOR	22PF 5% 500V			C 919	QEHR2AM-106Z	E CAPACITOR	10MF 20% 100V	
	C 316	QCS32HJ-220Z	C CAPACITOR	22PF 5% 500V			C 921	QCS32HJ-470Z	C CAPACITOR	47PF 5% 500V	
	C 317	QEHR1VM-476Z	E CAPACITOR	47MF 20% 35V			C 923	QCS32HJ-470Z	C CAPACITOR	47PF 5% 500V	
	C 318	QEHR1VM-476Z	E CAPACITOR	47MF 20% 35V			C 925	QFLC1HJ-473Z	M CAPACITOR	.047MF 5% 50V	
	C 319	QETN1JM-107Z	E CAPACITOR	100MF 20% 63V			C 927	QFLC1HJ-473Z	M CAPACITOR	.047MF 5% 50V	
	C 320	QETN1JM-107Z	E CAPACITOR	100MF 20% 63V			C 929	QETN1HM-476Z	E CAPACITOR	47MF 20% 50V	
	C 321	QCS32HJ-470Z	C CAPACITOR	47PF 5% 500V			CN201	QGF1205C1-14	CONNECTOR		
	C 322	QCS32HJ-470Z	C CAPACITOR	47PF 5% 500V			CN203	QGD2501C1-05Z	SOCKET		
	C 323	QCS32HJ-470Z	C CAPACITOR	47PF 5% 500V			CN241	QGD2501C1-05Z	SOCKET		
	C 324	QCS32HJ-470Z	C CAPACITOR	47PF 5% 500V			CN251	QGA3901F2-03	CONNECTOR		
	C 325	QFLC1HJ-473Z	M CAPACITOR	.047MF 5% 50V			CN291	QGB2510J1-04	CONNECTOR		
	C 326	QFLC1HJ-473Z	M CAPACITOR	.047MF 5% 50V			CN292	QGB2510K1-04	CONNECTOR		
	C 327	QFLC1HJ-473Z	M CAPACITOR	.047MF 5% 50V			CN301	QGB2510K1-14	CONNECTOR		
	C 328	QFLC1HJ-473Z	M CAPACITOR	.047MF 5% 50V			CN302	QGB2510K1-14	CONNECTOR		
	C 501	QETN1HM-475Z	E CAPACITOR	4.7MF 20% 50V			CN492	QGB2510K1-04	CONNECTOR		
	C 503	QETN0JM-477Z	E CAPACITOR	470MF 20% 6.3V			CN501	QGB2510K1-07	CONNECTOR		
	C 504	QCS31HJ-470Z	C CAPACITOR	47PF 5% 50V			CN801	QGB2510K1-14	CONNECTOR		
	C 505	QETN1HM-475Z	E CAPACITOR	4.7MF 20% 50V			CN802	QGB2510K1-14	CONNECTOR		
	C 506	QETN0JM-477Z	E CAPACITOR	470MF 20% 6.3V			CN901	QGB2510K1-14	CONNECTOR		
	C 507	QCS31HJ-470Z	C CAPACITOR	47PF 5% 50V			C1331	QCB1HK-331Y	C CAPACITOR	330PF 10% 50V	
	C 511	QETN1CM-108Z	E CAPACITOR	1000MF 20% 16V			C1332	QCB1HK-331Y	C CAPACITOR	330PF 10% 50V	
	C 512	QCB1HK-223Y	C CAPACITOR	.022MF 10% 50V			▲	D 201	10E2-FD	DIODE	
	C 521	QCB1HK-221Y	C CAPACITOR	220PF 10% 50V			▲	D 202	1SR35-400A-T5	DIODE	
	C 522	QCZ0202-155Z	ML C CAPCITOR	1.5MF			▲	D 203	10E2-FD	DIODE	
	C 801	QEHR1HM-106Z	E CAPACITOR	10MF 20% 50V			▲	D 204	1SR35-400A-T5	DIODE	
	C 802	QEHR1HM-106Z	E CAPACITOR	10MF 20% 50V			▲	D 206	1SR35-400A-T5	DIODE	
	C 803	QCS31HJ-271Z	C CAPACITOR	270PF 5% 50V			▲	D 207	1SR35-400A-T5	DIODE	
	C 804	QCS31HJ-271Z	C CAPACITOR	270PF 5% 50V			▲	D 208	1SR35-400A-T5	DIODE	
	C 805	QCS31HJ-221Z	C CAPACITOR	220PF 5% 50V			▲	D 209	1SR35-400A-T5	DIODE	
	C 806	QCS31HJ-221Z	C CAPACITOR	220PF 5% 50V				D 210	1SS133-T2	SI DIODE	
	C 807	QCB31HK-152Z	C CAPACITOR	1500PF 10% 50V				D 211	MTZJ6.8C-T2	Z DIODE	
	C 808	QCB31HK-152Z	C CAPACITOR	1500PF 10% 50V				D 212	1SR139-400-T4	DIODE	
	C 809	QETN1EM-107Z	E CAPACITOR	100MF 20% 25V				D 217	MTZJ6.2C-T2	Z DIODE	
	C 810	QETN1EM-107Z	E CAPACITOR	100MF 20% 25V				D 218	1SS133-T2	SI DIODE	
	C 811	QCS31HJ-100Z	C CAPACITOR	10PF 5% 50V				D 219	1SR139-400-T4	DIODE	

■ Electrical parts list (Power amp board)

Block No. 01

△	Item	Parts number	Parts name	Remarks	Area	△	Item	Parts number	Parts name	Remarks	Area
	D 220	1SR139-400-T4	DIODE				Q 311	KTC3200/GL-T	TRANSISTOR		
	D 221	1SS133-T2	SI DIODE				Q 312	KTC3200/GL-T	TRANSISTOR		
	D 301	1SS133-T2	SI DIODE				Q 313	KTA1268/GL-T	TRANSISTOR		
	D 302	1SS133-T2	SI DIODE				Q 314	KTA1268/GL-T	TRANSISTOR		
	D 303	SLR-342MC-T	LED			△	Q 315	2SD2390/OPY/-F6	TRANSISTOR		
	D 304	SLR-342MC-T	LED			△	Q 316	2SD2390/OPY/-F6	TRANSISTOR		
	D 305	1SS133-T2	SI DIODE			△	Q 317	2SB1560/OPY/-F6	TRANSISTOR		
	D 306	1SS133-T2	SI DIODE			△	Q 318	2SB1560/OPY/-F6	TRANSISTOR		
	D 307	1SS133-T2	SI DIODE				Q 319	KTA1268/GL-T	TRANSISTOR		
	D 308	1SS133-T2	SI DIODE				Q 320	KTA1268/GL-T	TRANSISTOR		
	D 309	1SS133-T2	SI DIODE				Q 501	KTA1267/YG-T	TRANSISTOR		
	D 310	1SS133-T2	SI DIODE				Q 502	KTC3199/GL-T	TRANSISTOR		
	D 801	1SS133-T2	SI DIODE				Q 503	KRC101M-T	TRANSISTOR		
	D 802	1SS133-T2	SI DIODE				Q 504	KTA1267/YG-T	TRANSISTOR		
	D 805	1SS133-T2	SI DIODE				Q 505	KTC3199/GL-T	TRANSISTOR		
	D 806	1SS133-T2	SI DIODE				Q 801	2SC2240/L-T	TRANSISTOR		
	D 807	1SS133-T2	SI DIODE				Q 802	2SC2240/L-T	TRANSISTOR		
	D 808	1SS133-T2	SI DIODE				Q 803	2SC2240/L-T	TRANSISTOR		
	D 809	1SS133-T2	SI DIODE				Q 804	2SC2240/L-T	TRANSISTOR		
	D 810	1SS133-T2	SI DIODE				Q 805	KTA1268/GL-T	TRANSISTOR		
	D 901	1SS133-T2	SI DIODE				Q 806	KTA1268/GL-T	TRANSISTOR		
	D 905	1SS133-T2	SI DIODE				Q 809	2SD637/QR/	TRANSISTOR		
	D 907	1SS133-T2	SI DIODE				Q 810	2SD637/QR/	TRANSISTOR		
	D 909	1SS133-T2	SI DIODE				Q 811	KTC3200/GL-T	TRANSISTOR		
	EP 1	E409182-001SM	GRAND TERMINAL				Q 812	KTC3200/GL-T	TRANSISTOR		
	EP201	QNZ0136-001Z	EARTH PLATE				Q 813	KTA1268/GL-T	TRANSISTOR		
	FC211	QNG0020-001Z	FUSE CLIP				Q 814	KTA1268/GL-T	TRANSISTOR		
	FC212	QNG0020-001Z	FUSE CLIP			△	Q 815	2SD2390/OPY/-F6	TRANSISTOR		
	FC221	QNG0020-001Z	FUSE CLIP			△	Q 816	2SD2390/OPY/-F6	TRANSISTOR		
	FC222	QNG0020-001Z	FUSE CLIP			△	Q 817	2SB1560/OPY/-F6	TRANSISTOR		
	FC231	QNG0020-001Z	FUSE CLIP			△	Q 818	2SB1560/OPY/-F6	TRANSISTOR		
	FC232	QNG0020-001Z	FUSE CLIP				Q 819	KTA1268/GL-T	TRANSISTOR		
	FC251	QNG0020-001Z	FUSE CLIP	F205			Q 820	KTA1268/GL-T	TRANSISTOR		
	FC252	QNG0020-001Z	FUSE CLIP	F205			Q 901	2SC2240/L-T	TRANSISTOR		
	FW201	QUM137-13Z4Z4	PARA RIBON WIRE				Q 903	2SC2240/L-T	TRANSISTOR		
	FW251	QUM133-08Z4Z4	PARA RIBON WIRE				Q 905	KTA1268/GL-T	TRANSISTOR		
	IC501	NJM2246D	IC				Q 909	2SD637/QR/	TRANSISTOR		
	J 501	QNN0063-001	PIN JACK				Q 911	KTC3200/GL-T	TRANSISTOR		
	J 502	QNN0063-001	PIN JACK	VCR(R/P)			Q 913	KTA1268/GL-T	TRANSISTOR		
	J 521	QNS0073-001	JACK			△	Q 915	2SD2390/OPY/-F6	TRANSISTOR		
	J1331	QNS0022-001	JACK			△	Q 917	2SB1560/OPY/-F6	TRANSISTOR		
	L 301	QQLZ005-R45	INDUCTOR				Q 919	KTA1268/GL-T	TRANSISTOR		
	L 302	QQLZ005-R45	INDUCTOR			△	R 201	QRJ146J-4R7X	UNF C RESISTOR	4.7 5% 1/4W	
	L 801	QQLZ005-R45	INDUCTOR			△	R 203	QRJ146J-100X	UNF C RESISTOR	10 5% 1/4W	
	L 802	QQLZ005-R45	INDUCTOR			△	R 204	QRJ146J-821X	UNF C RESISTOR	820 5% 1/4W	
	L 901	QQLZ005-R45	INDUCTOR			△	R 208	QRJ146J-100X	UNF C RESISTOR	10 5% 1/4W	
	Q 202	DTC123YSA-T	D TRANSISTOR				R 209	QRE141J-104Y	C RESISTOR	100K 5% 1/4W	
	Q 203	KTC3203/OY/-T	TRANSISTOR			△	R 210	QRJ146J-680X	UNF C RESISTOR	68 5% 1/4W	
	Q 205	KTC3200/GL-T	TRANSISTOR			△	R 221	QRJ146J-100X	UNF C RESISTOR	10 5% 1/4W	
	Q 207	KRC105M-T	D TRANSISTOR				R 301	QRE141J-222Y	C RESISTOR	2.2K 5% 1/4W	
	Q 208	KRC105M-T	D TRANSISTOR				R 302	QRE141J-222Y	C RESISTOR	2.2K 5% 1/4W	
	Q 209	KRC105M-T	D TRANSISTOR				R 303	QRE141J-563Y	C RESISTOR	56K 5% 1/4W	
	Q 210	KRC105M-T	D TRANSISTOR				R 304	QRE141J-563Y	C RESISTOR	56K 5% 1/4W	
	Q 301	2SC2240/L-T	TRANSISTOR				R 305	QRE141J-153Y	C RESISTOR	15K 5% 1/4W	
	Q 302	2SC2240/L-T	TRANSISTOR				R 306	QRE141J-153Y	C RESISTOR	15K 5% 1/4W	
	Q 303	2SC2240/L-T	TRANSISTOR				R 307	QRE141J-272Y	C RESISTOR	2.7K 5% 1/4W	
	Q 304	2SC2240/L-T	TRANSISTOR				R 308	QRE141J-272Y	C RESISTOR	2.7K 5% 1/4W	
	Q 305	KTA1268/GL-T	TRANSISTOR				R 309	QRE141J-101Y	C RESISTOR	100 5% 1/4W	
	Q 306	KTA1268/GL-T	TRANSISTOR				R 310	QRE141J-101Y	C RESISTOR	100 5% 1/4W	
	Q 307	KTC3200/GL-T	TRANSISTOR			△	R 311	QRJ146J-391X	UNF C RESISTOR	390 5% 1/4W	
	Q 308	KTC3200/GL-T	TRANSISTOR			△	R 312	QRJ146J-391X	UNF C RESISTOR	390 5% 1/4W	
	Q 309	2SD637/QR/	TRANSISTOR				R 313	QRE141J-563Y	C RESISTOR	56K 5% 1/4W	
	Q 310	2SD637/QR/	TRANSISTOR				R 314	QRE141J-563Y	C RESISTOR	56K 5% 1/4W	

■ Electrical parts list (Power amp board)

Block No. 01

△	Item	Parts number	Parts name	Remarks	Area	△	Item	Parts number	Parts name	Remarks	Area
△	R 315	QRJ146J-271X	UNF C RESISTOR	270 5% 1/4W			R 808	QRE141J-302Y	C RESISTOR	3.0K 5% 1/4W	
△	R 316	QRJ146J-271X	UNF C RESISTOR	270 5% 1/4W			R 809	QRE141J-101Y	C RESISTOR	100 5% 1/4W	
	R 317	QRE141J-473Y	C RESISTOR	47K 5% 1/4W			R 810	QRE141J-101Y	C RESISTOR	100 5% 1/4W	
	R 318	QRE141J-473Y	C RESISTOR	47K 5% 1/4W			△	R 811	QRJ146J-391X	UNF C RESISTOR	390 5% 1/4W
△	R 319	QRJ146J-471X	UNF C RESISTOR	470 5% 1/4W			△	R 812	QRJ146J-391X	UNF C RESISTOR	390 5% 1/4W
△	R 320	QRJ146J-471X	UNF C RESISTOR	470 5% 1/4W			R 813	QRE141J-563Y	C RESISTOR	56K 5% 1/4W	
△	R 321	QRJ146J-100X	UNF C RESISTOR	10 5% 1/4W			R 814	QRE141J-563Y	C RESISTOR	56K 5% 1/4W	
△	R 322	QRJ146J-100X	UNF C RESISTOR	10 5% 1/4W			△	R 815	QRJ146J-331X	UNF C RESISTOR	330 5% 1/4W
△	R 323	QRJ146J-100X	UNF C RESISTOR	10 5% 1/4W			△	R 816	QRJ146J-331X	UNF C RESISTOR	330 5% 1/4W
△	R 324	QRJ146J-100X	UNF C RESISTOR	10 5% 1/4W			△	R 821	QRJ146J-100X	UNF C RESISTOR	10 5% 1/4W
	R 325	QRE141J-361Y	C RESISTOR	360 5% 1/4W			△	R 822	QRJ146J-100X	UNF C RESISTOR	10 5% 1/4W
	R 326	QRE141J-361Y	C RESISTOR	360 5% 1/4W			△	R 823	QRJ146J-100X	UNF C RESISTOR	10 5% 1/4W
	R 327	QRE141J-471Y	C RESISTOR	470 5% 1/4W			△	R 824	QRJ146J-100X	UNF C RESISTOR	10 5% 1/4W
	R 328	QRE141J-471Y	C RESISTOR	470 5% 1/4W				R 825	QRE141J-361Y	C RESISTOR	360 5% 1/4W
	R 329	QRE141J-471Y	C RESISTOR	470 5% 1/4W				R 826	QRE141J-361Y	C RESISTOR	360 5% 1/4W
	R 330	QRE141J-471Y	C RESISTOR	470 5% 1/4W				R 827	QRE141J-911Y	C RESISTOR	910 5% 1/4W
△	R 331	QRJ146J-100X	UNF C RESISTOR	10 5% 1/4W				R 828	QRE141J-911Y	C RESISTOR	910 5% 1/4W
△	R 332	QRJ146J-100X	UNF C RESISTOR	10 5% 1/4W				R 829	QRE141J-471Y	C RESISTOR	470 5% 1/4W
△	R 333	QRJ146J-100X	UNF C RESISTOR	10 5% 1/4W				R 830	QRE141J-471Y	C RESISTOR	470 5% 1/4W
△	R 334	QRJ146J-100X	UNF C RESISTOR	10 5% 1/4W			△	R 831	QRJ146J-100X	UNF C RESISTOR	10 5% 1/4W
	R 335	QRE141J-121Y	C RESISTOR	120 5% 1/4W			△	R 832	QRJ146J-100X	UNF C RESISTOR	10 5% 1/4W
	R 336	QRE141J-121Y	C RESISTOR	120 5% 1/4W			△	R 833	QRJ146J-100X	UNF C RESISTOR	10 5% 1/4W
	R 337	QRE141J-121Y	C RESISTOR	120 5% 1/4W			△	R 834	QRJ146J-100X	UNF C RESISTOR	10 5% 1/4W
	R 338	QRE141J-121Y	C RESISTOR	120 5% 1/4W				R 835	QRE141J-181Y	C RESISTOR	180 5% 1/4W
	R 339	QRE141J-181Y	C RESISTOR	180 5% 1/4W				R 836	QRE141J-181Y	C RESISTOR	180 5% 1/4W
	R 340	QRE141J-181Y	C RESISTOR	180 5% 1/4W				R 837	QRE141J-181Y	C RESISTOR	180 5% 1/4W
	R 341	QRE141J-181Y	C RESISTOR	180 5% 1/4W				R 838	QRE141J-181Y	C RESISTOR	180 5% 1/4W
	R 342	QRE141J-181Y	C RESISTOR	180 5% 1/4W				R 839	QRE141J-181Y	C RESISTOR	180 5% 1/4W
△	R 343	QRZ0218-R22	EMIT RESISTOR	1/2W				R 840	QRE141J-181Y	C RESISTOR	180 5% 1/4W
△	R 344	QRZ0218-R22	EMIT RESISTOR	1/2W				R 841	QRE141J-181Y	C RESISTOR	180 5% 1/4W
	R 345	QRE141J-102Y	C RESISTOR	1.0K 5% 1/4W				R 842	QRE141J-181Y	C RESISTOR	180 5% 1/4W
	R 346	QRE141J-102Y	C RESISTOR	1.0K 5% 1/4W			△	R 843	QRZ0218-R22	EMIT RESISTOR	1/2W
	R 347	QRE141J-153Y	C RESISTOR	15K 5% 1/4W			△	R 844	QRZ0218-R22	EMIT RESISTOR	1/2W
	R 348	QRE141J-153Y	C RESISTOR	15K 5% 1/4W				R 845	QRE141J-102Y	C RESISTOR	1.0K 5% 1/4W
	R 349	QRE141J-473Y	C RESISTOR	47K 5% 1/4W				R 846	QRE141J-102Y	C RESISTOR	1.0K 5% 1/4W
	R 350	QRE141J-473Y	C RESISTOR	47K 5% 1/4W				R 847	QRE141J-183Y	C RESISTOR	18K 5% 1/4W
△	R 351	QRJ125J-330	UNF C RESISTOR	33 5% 1/2W				R 848	QRE141J-183Y	C RESISTOR	18K 5% 1/4W
△	R 352	QRJ125J-330	UNF C RESISTOR	33 5% 1/2W				R 849	QRE141J-123Y	C RESISTOR	12K 5% 1/4W
△	R 353	QRL022J-100	UNF OMF RESISTOR	10 5% 1/2W				R 850	QRE141J-123Y	C RESISTOR	12K 5% 1/4W
△	R 354	QRL022J-100	UNF OMF RESISTOR	10 5% 1/2W			△	R 851	QRJ125J-330	UNF C RESISTOR	33 5% 1/2W
	R 501	QRE141J-331Y	C RESISTOR	330 5% 1/4W			△	R 852	QRJ125J-330	UNF C RESISTOR	33 5% 1/2W
	R 502	QRE141J-750Y	C RESISTOR	75 5% 1/4W			△	R 853	QRL022J-100	UNF OMF RESISTOR	10 5% 1/2W
	R 505	QRE141J-750Y	C RESISTOR	75 5% 1/4W			△	R 854	QRL022J-100	UNF OMF RESISTOR	10 5% 1/2W
	R 506	QRE141J-473Y	C RESISTOR	47K 5% 1/4W				R 855	QRE141J-332Y	C RESISTOR	3.3K 5% 1/4W
	R 507	QRE141J-331Y	C RESISTOR	330 5% 1/4W				R 856	QRE141J-332Y	C RESISTOR	3.3K 5% 1/4W
	R 508	QRE141J-750Y	C RESISTOR	75 5% 1/4W				R 857	QRE141J-332Y	C RESISTOR	3.3K 5% 1/4W
	R 509	QRE141J-750Y	C RESISTOR	75 5% 1/4W				R 858	QRE141J-332Y	C RESISTOR	3.3K 5% 1/4W
	R 510	QRE141J-473Y	C RESISTOR	47K 5% 1/4W				R 859	QRE141J-332Y	C RESISTOR	3.3K 5% 1/4W
	R 511	QRE141J-151Y	C RESISTOR	150 5% 1/4W				R 860	QRE141J-332Y	C RESISTOR	3.3K 5% 1/4W
	R 512	QRE141J-271Y	C RESISTOR	270 5% 1/4W				R 861	QRE141J-332Y	C RESISTOR	3.3K 5% 1/4W
	R 513	QRE141J-152Y	C RESISTOR	1.5K 5% 1/4W				R 862	QRE141J-332Y	C RESISTOR	3.3K 5% 1/4W
	R 514	QRE141J-151Y	C RESISTOR	150 5% 1/4W				R 901	QRE141J-222Y	C RESISTOR	2.2K 5% 1/4W
	R 515	QRE141J-271Y	C RESISTOR	270 5% 1/4W				R 903	QRE141J-563Y	C RESISTOR	56K 5% 1/4W
	R 516	QRE141J-152Y	C RESISTOR	1.5K 5% 1/4W				R 905	QRE141J-183Y	C RESISTOR	18K 5% 1/4W
	R 521	QRE141J-221Y	C RESISTOR	220 5% 1/4W				R 907	QRE141J-302Y	C RESISTOR	3.0K 5% 1/4W
	R 522	QRE141J-471Y	C RESISTOR	470 5% 1/4W				R 909	QRE141J-101Y	C RESISTOR	100 5% 1/4W
	R 801	QRE141J-222Y	C RESISTOR	2.2K 5% 1/4W			△	R 911	QRJ146J-301X	UNF C RESISTOR	300 5% 1/4W
	R 802	QRE141J-222Y	C RESISTOR	2.2K 5% 1/4W				R 913	QRE141J-563Y	C RESISTOR	56K 5% 1/4W
	R 803	QRE141J-563Y	C RESISTOR	56K 5% 1/4W			△	R 915	QRJ146J-331X	UNF C RESISTOR	330 5% 1/4W
	R 804	QRE141J-563Y	C RESISTOR	56K 5% 1/4W			△	R 921	QRJ146J-100X	UNF C RESISTOR	10 5% 1/4W
	R 805	QRE141J-183Y	C RESISTOR	18K 5% 1/4W			△	R 923	QRJ146J-100X	UNF C RESISTOR	10 5% 1/4W
	R 806	QRE141J-183Y	C RESISTOR	18K 5% 1/4W				R 925	QRE141J-361Y	C RESISTOR	360 5% 1/4W
	R 807	QRE141J-302Y	C RESISTOR	3.0K 5% 1/4W				R 927	QRE141J-911Y	C RESISTOR	910 5% 1/4W

■ Electrical parts list (Power amp board)

Block No. 01

△	Item	Parts number	Parts name	Remarks	Area
	R 929	QRE141J-471Y	C RESISTOR	470 5% 1/4W	
△	R 931	QRJ146J-100X	UNF C RESISTOR	10 5% 1/4W	
△	R 933	QRJ146J-100X	UNF C RESISTOR	10 5% 1/4W	
	R 935	QRE141J-181Y	C RESISTOR	180 5% 1/4W	
	R 937	QRE141J-181Y	C RESISTOR	180 5% 1/4W	
	R 939	QRE141J-181Y	C RESISTOR	180 5% 1/4W	
	R 941	QRE141J-181Y	C RESISTOR	180 5% 1/4W	
△	R 943	QRZ0218-R22	EMIT RESISTOR	1/2W	
	R 945	QRE141J-102Y	C RESISTOR	1.0K 5% 1/4W	
	R 947	QRE141J-183Y	C RESISTOR	18K 5% 1/4W	
	R 949	QRE141J-473Y	C RESISTOR	47K 5% 1/4W	
△	R 951	QRJ125J-330	UNF C RESISTOR	33 5% 1/2W	
△	R 953	QRL022J-100	UNF OMF RESISTOR	10 5% 1/2W	
	R 955	QRE141J-332Y	C RESISTOR	3.3K 5% 1/4W	
	R 957	QRE141J-332Y	C RESISTOR	3.3K 5% 1/4W	
	R 959	QRE141J-332Y	C RESISTOR	3.3K 5% 1/4W	
	R 961	QRE141J-332Y	C RESISTOR	3.3K 5% 1/4W	
△	RY202	QSK0098-001	RELAY		
△	RY203	QSK0109-001	RELAY		
△	R1331	QRL022J-471	UNF OMF RESISTOR	470 5% 1/2W	
△	R1332	QRL022J-471	UNF OMF RESISTOR	470 5% 1/2W	
△	T 202	QQT0281-002	POWER TRANSF		
	TA201	QNZ0079-001Z	TAB		
	TA202	QNZ0079-001Z	TAB		
△	TH301	QAD0012-202	THERMISTOR		
△	TH302	QAD0012-202	THERMISTOR		
△	TH801	QAD0012-202	THERMISTOR		
△	TH802	QAD0012-202	THERMISTOR		
△	TH901	QAD0012-202	THERMISTOR		
	VR301	QVP0008-102Z	SEMI.V.RESISTOR		
	VR302	QVP0008-102Z	SEMI V RESISTOR		

■ Electrical parts list (Main board)

Block No. 02

△	Item	Parts number	Parts name	Remarks	Area	△	Item	Parts number	Parts name	Remarks	Area
	C 419	QCBB1HK-223Y	C CAPACITOR	.022MF 10% 50V			C1373	QFLC1HJ-223Z	M CAPACITOR	.022MF 5% 50V	
	C 420	QCBB1HK-223Y	C CAPACITOR	.022MF 10% 50V			C1374	QCS31HJ-221Z	C CAPACITOR	220PF 5% 50V	
	C 421	QCBB1HK-331Y	C CAPACITOR	330PF 10% 50V			C1375	QCS31HJ-221Z	C CAPACITOR	220PF 5% 50V	
	C 422	QCBB1HK-331Y	C CAPACITOR	330PF 10% 50V			C1376	QCBB1HK-221Y	C CAPACITOR	220PF 10% 50V	
	C 423	QCBB1HK-331Y	C CAPACITOR	330PF 10% 50V		△	D1301	30DF2-FC	DIODE		
	C 424	QCBB1HK-331Y	C CAPACITOR	330PF 10% 50V		△	D1302	30DF2-FC	DIODE		
	C 425	QCBB1HK-331Y	C CAPACITOR	330PF 10% 50V		△	D1303	30DF2-FC	DIODE		
	C 426	QCBB1HK-331Y	C CAPACITOR	330PF 10% 50V		△	D1304	30DF2-FC	DIODE		
	C 427	QCBB1HK-221Y	C CAPACITOR	220PF 10% 50V			D1305	MTZJ22C-T2	ZENER DIODE		
	C 428	QCBB1HK-221Y	C CAPACITOR	220PF 10% 50V			D1306	MTZJ30C-T2	ZENER DIODE		
	C 429	QCBB1HK-331Y	C CAPACITOR	330PF 10% 50V			D1307	1SS133-T2	SI DIODE		
	C 430	QCBB1HK-331Y	C CAPACITOR	330PF 10% 50V			D1308	1SS133-T2	SI DIODE		
	C 431	QCBB1HK-331Y	C CAPACITOR	330PF 10% 50V			D1309	MTZJ20C-T2	Z DIODE		
	C 432	QCBB1HK-331Y	C CAPACITOR	330PF 10% 50V			D1352	1SS133-T2	SI DIODE		
	C 433	QCBB1HK-221Y	C CAPACITOR	220PF 10% 50V			D1353	1SS133-T2	SI DIODE		
	C 434	QCBB1HK-221Y	C CAPACITOR	220PF 10% 50V			D1354	1SS133-T2	SI DIODE		
	C 435	QCBB1HK-331Y	C CAPACITOR	330PF 10% 50V			D1355	1SS133-T2	SI DIODE		
	C 436	QCBB1HK-331Y	C CAPACITOR	330PF 10% 50V			D1356	MTZJ5.1C-T2	ZENER DIODE		
	C 440	QCBB1HK-221Y	C CAPACITOR	220PF 10% 50V			D1357	1SS133-T2	SI DIODE		
	C 441	QETN1HM-475Z	E CAPACITOR	4.7MF 20% 50V			D1358	1SS133-T2	SI DIODE		
	C 442	QETN1HM-475Z	E CAPACITOR	4.7MF 20% 50V			D1359	1SS133-T2	SI DIODE		
	C 443	QETN1HM-475Z	E CAPACITOR	4.7MF 20% 50V			D1360	1SS133-T2	SI DIODE		
	C 444	QETN1HM-475Z	E CAPACITOR	4.7MF 20% 50V			EP301	QNZ0136-001Z	EARTH PLATE		
	C 445	QCBB1HK-223Y	C CAPACITOR	.022MF 10% 50V			FW301	QUM135-25Z4Z4	PARA RIBON WIRE		
	C 446	QCBB1HK-223Y	C CAPACITOR	.022MF 10% 50V			FW302	QUM136-25Z4Z4	PARA RIBON WIRE		
	CN311	QGB2510J1-14	CONNECTOR				FW303	QUM135-28DGZ4	PARA RIBON WIRE		
	CN312	QGB2510J1-14	CONNECTOR				FW341	QUM135-20DGZ4	SOCKET		
	CN321	QGB2510J1-14	CONNECTOR				IC402	TC9164AN	IC		
	CN331	QGB2510J1-14	CONNECTOR				IC403	BA15218N	IC		
	CN332	QGB2510J1-14	CONNECTOR				J 402	QNN0168-001	PIN JACK		
	CN351	QJK012-032403	SKT WIRE ASSY				J 403	QNN0168-001	PIN JACK		
	CN371	QJP001-031201	SHI CR C-B WIRE				L1351	QQLZ005-R45	INDUCTOR		
	CN372	QJP002-021201	SHI CR C-B WIRE				L1352	QQLZ005-R45	INDUCTOR		
	CN373	QJP001-031201	SHI CR C-B WIRE				L1353	QQLZ005-R45	INDUCTOR		
	CN401	QGB2510K1-14	CONNECTOR				L1354	QQLZ005-R45	INDUCTOR		
	C1301	QFZ9076-104Z	MM CAPACITOR	.10MF			L1355	QQLZ005-R45	INDUCTOR		
	C1302	QCE22HP-103	C CAPACITOR	.010MF +100:-0%		△	Q1301	KTA1046/Y/	TRANSISTOR		
	C1303	QCE22HP-103	C CAPACITOR	.010MF +100:-0%			Q1302	KTC3200/GL/-T	TRANSISTOR		
	C1304	QEZ0341-688	E CAPACITER	6800MF			Q1303	KTA1268/GL/-T	TRANSISTOR		
	C1305	QEZ0341-688	E CAPACITER	6800MF			Q1304	KTC3199/GL/-T	TRANSISTOR		
	C1306	QETN1EM-476Z	E CAPACITOR	47MF 20% 25V			Q1305	2SD2395/EF/	TRANSISTOR		
	C1308	QETN1HM-476Z	E CAPACITOR	47MF 20% 50V			Q1306	KTA1023/OY/-T	TRANSISTOR		
	C1309	QETN1HM-106Z	E CAPACITOR	10MF 20% 50V			Q1307	KTC3200/GL/-T	TRANSISTOR		
	C1310	QETN1CM-476Z	E CAPACITOR	47MF 20% 16V			Q1351	KRC109M-T	D TRANSISTOR		
	C1311	QEKC1HM-226Z	E CAPACITOR	22MF 20% 50V			Q1352	KRC109M-T	D TRANSISTOR		
	C1351	QETN1HM-475Z	E CAPACITOR	4.7MF 20% 50V			Q1353	KRC109M-T	D TRANSISTOR		
	C1352	QETN1HM-475Z	E CAPACITOR	4.7MF 20% 50V			Q1354	KRC109M-T	D TRANSISTOR		
	C1353	QEKC1HM-475Z	E CAPACITOR	4.7MF 20% 50V			Q1355	KRC109M-T	D TRANSISTOR		
	C1354	QETN1HM-475Z	E CAPACITOR	4.7MF 20% 50V			Q1356	KRC109M-T	D TRANSISTOR		
	C1359	QFLC1HJ-223Z	M CAPACITOR	.022MF 5% 50V			Q1357	KRC109M-T	D TRANSISTOR		
	C1360	QFLC1HJ-223Z	M CAPACITOR	.022MF 5% 50V			Q1358	KRC109M-T	D TRANSISTOR		
	C1361	QFLC1HJ-223Z	M CAPACITOR	.022MF 5% 50V			R 421	QRE141J-471Y	C RESISTOR	470 5% 1/4W	
	C1362	QCS31HJ-221Z	C CAPACITOR	220PF 5% 50V			R 422	QRE141J-471Y	C RESISTOR	470 5% 1/4W	
	C1363	QFLC1HJ-223Z	M CAPACITOR	.022MF 5% 50V			R 423	QRE141J-471Y	C RESISTOR	470 5% 1/4W	
	C1364	QCS31HJ-221Z	C CAPACITOR	220PF 5% 50V			R 424	QRE141J-471Y	C RESISTOR	470 5% 1/4W	
	C1365	QFLC1HJ-473Z	M CAPACITOR	.047MF 5% 50V			R 425	QRE141J-471Y	C RESISTOR	470 5% 1/4W	
	C1366	QCS31HJ-221Z	C CAPACITOR	220PF 5% 50V			R 426	QRE141J-471Y	C RESISTOR	470 5% 1/4W	
	C1367	QCBB1HK-221Y	C CAPACITOR	220PF 10% 50V			R 429	QRE141J-471Y	C RESISTOR	470 5% 1/4W	
	C1368	QFLC1HJ-102Z	M CAPACITOR	1000PF 5% 50V			R 430	QRE141J-471Y	C RESISTOR	470 5% 1/4W	
	C1369	QFLC1HJ-223Z	M CAPACITOR	.022MF 5% 50V			R 431	QRE141J-471Y	C RESISTOR	470 5% 1/4W	
	C1370	QCS31HJ-221Z	C CAPACITOR	220PF 5% 50V			R 432	QRE141J-471Y	C RESISTOR	470 5% 1/4W	
	C1371	QCBB1HK-221Y	C CAPACITOR	220PF 10% 50V			R 435	QRE141J-471Y	C RESISTOR	470 5% 1/4W	
	C1372	QCS31HJ-221Z	C CAPACITOR	220PF 5% 50V			R 436	QRE141J-471Y	C RESISTOR	470 5% 1/4W	

■ Electrical parts list (Main board)

Block No. 02

△	Item	Parts number	Parts name	Remarks	Area
	R 440	QRE141J-102Y	C RESISTOR	1.0K 5% 1/4W	
	R 441	QRE141J-104Y	C RESISTOR	100K 5% 1/4W	
	R 442	QRE141J-104Y	C RESISTOR	100K 5% 1/4W	
	R 443	QRE141J-104Y	C RESISTOR	100K 5% 1/4W	
	R 444	QRE141J-104Y	C RESISTOR	100K 5% 1/4W	
	R 445	QRE141J-104Y	C RESISTOR	100K 5% 1/4W	
	R 446	QRE141J-104Y	C RESISTOR	100K 5% 1/4W	
△	R 449	QRJ146J-271X	UNF C RESISTOR	270 5% 1/4W	
△	R 450	QRJ146J-271X	UNF C RESISTOR	270 5% 1/4W	
△	RY302	QSK0109-001	RELAY		
△	RY303	QSK0109-001	RELAY		
△	RY304	QSK0109-001	RELAY		
△	R1301	QRL022J-562	UNF OMF RESISTOR	5.6K 5% 1/2W	
△	R1302	QRZ9005-100X	F RESISTOR	10 1/0W	
△	R1303	QRJ146J-562X	UNF C RESISTOR	5.6K 5% 1/4W	
	R1304	QRE141J-104Y	C RESISTOR	100K 5% 1/4W	
	R1305	QRE141J-104Y	C RESISTOR	100K 5% 1/4W	
	R1306	QRE141J-823Y	C RESISTOR	82K 5% 1/4W	
	R1307	QRE141J-104Y	C RESISTOR	100K 5% 1/4W	
	R1308	QRE141J-104Y	C RESISTOR	100K 5% 1/4W	
	R1309	QRE141J-103Y	C RESISTOR	10K 5% 1/4W	
	R1310	QRE141J-103Y	C RESISTOR	10K 5% 1/4W	
	R1311	QRE141J-104Y	C RESISTOR	100K 5% 1/4W	
	R1312	QRE141J-104Y	C RESISTOR	100K 5% 1/4W	
△	R1313	QRZ9005-100X	F RESISTOR	10 1/0W	
△	R1314	QRJ146J-103X	UNF C RESISTOR	10K 5% 1/4W	
△	R1315	QRJ146J-2R2X	UNF C RESISTOR	2.2 5% 1/4W	
△	R1316	QRJ146J-102X	UNF C RESISTOR	1.0K 5% 1/4W	
△	R1317	QRJ146J-223X	UNF C RESISTOR	22K 5% 1/4W	
	R1318	QRE141J-223Y	C RESISTOR	22K 5% 1/4W	
	R1319	QRE141J-473Y	C RESISTOR	47K 5% 1/4W	
△	R1352	QRJ146J-680X	UNF C RESISTOR	68 5% 1/4W	
△	R1353	QRJ146J-680X	UNF C RESISTOR	68 5% 1/4W	
△	R1354	QRJ146J-680X	UNF C RESISTOR	68 5% 1/4W	
△	R1355	QRJ146J-392X	UNF C RESISTOR	3.9K 5% 1/4W	
	R1356	QRE141J-472Y	C RESISTOR	4.7K 5% 1/4W	
	R1357	QRE141J-223Y	C RESISTOR	22K 5% 1/4W	
	R1358	QRE141J-682Y	C RESISTOR	6.8K 5% 1/4W	
	R1359	QRE141J-472Y	C RESISTOR	4.7K 5% 1/4W	
	R1360	QRE141J-472Y	C RESISTOR	4.7K 5% 1/4W	
	R1361	QRE141J-472Y	C RESISTOR	4.7K 5% 1/4W	
	R1362	QRE141J-472Y	C RESISTOR	4.7K 5% 1/4W	
	R1363	QRE141J-472Y	C RESISTOR	4.7K 5% 1/4W	
	R1364	QRE141J-223Y	C RESISTOR	22K 5% 1/4W	
	R1365	QRE141J-682Y	C RESISTOR	6.8K 5% 1/4W	
	R1366	QRE141J-223Y	C RESISTOR	22K 5% 1/4W	
	R1367	QRE141J-682Y	C RESISTOR	6.8K 5% 1/4W	
△	R1370	QRJ146J-2R7X	UNF C RESISTOR	2.7 5% 1/4W	
△	R1371	QRJ146J-2R7X	UNF C RESISTOR	2.7 5% 1/4W	
△	R1372	QRJ146J-2R7X	UNF C RESISTOR	2.7 5% 1/4W	
△	R1373	QRJ146J-2R7X	UNF C RESISTOR	2.7 5% 1/4W	
△	R1374	QRJ146J-2R7X	UNF C RESISTOR	2.7 5% 1/4W	
	ST304	QNB0103-002	SPK TERMINAL		
	ST305	QNB0001-002	SPK TERMINAL		

■ Electrical parts list (System control & Audio board) Block No. 03

△	Item	Parts number	Parts name	Remarks	Area	△	Item	Parts number	Parts name	Remarks	Area
	BK701	LV42093-001A	FL HOLDER(L)				C1428	QFLC1HJ-153Z	M CAPACITOR	.015MF 5% 50V	
	BK702	LV42092-001A	FL HOLDER(R)				C1429	QCB31HK-822Z	C CAPACITOR	8200PF 10% 50V	
	C 451	NCB31HK-331X	C CAPACITOR				C1430	QETN1HM-475Z	E CAPACITOR	4.7MF 20% 50V	
	C 452	NCB31HK-331X	C CAPACITOR				C1431	QETN1HM-475Z	E CAPACITOR	4.7MF 20% 50V	
	C 459	QFLC1HJ-104Z	M CAPACITOR	.10MF 5% 50V			C1432	NCB31CK-223X	C CAPACITOR		
	C 460	QCZ0202-155Z	ML C CAPACITOR	1.5MF			C1433	QFVF1HJ-334Z	MF CAPACITOR	.33MF 5% 50V	
	C 701	QETN0JM-107Z	E CAPACITOR	100MF 20% 6.3V			C1434	QFLC1HJ-153Z	M CAPACITOR	.015MF 5% 50V	
	C 702	QCZ0202-155Z	ML C CAPACITOR	1.5MF			C1435	QCB31HK-822Z	C CAPACITOR	8200PF 10% 50V	
	C 703	QETN1HM-225Z	E CAPACITOR	2.2MF 20% 50V			C1436	NCB31CK-223X	C CAPACITOR		
	C 704	NCB31CK-223X	C CAPACITOR				C1437	QCZ0202-155Z	ML C CAPACITOR	1.5MF	
	C 705	QETN0JM-107Z	E CAPACITOR	100MF 20% 6.3V			C1438	QETN0JM-477Z	E CAPACITOR	470MF 20% 6.3V	
	C 706	NCB21HK-331X	C CAPACITOR				C1439	QFLC1HJ-562Z	M CAPACITOR	5600PF 5% 50V	
	C 707	QETN1HM-475Z	E CAPACITOR	4.7MF 20% 50V			C1440	QFLC1HJ-562Z	M CAPACITOR	5600PF 5% 50V	
	C 708	QETN1HM-475Z	E CAPACITOR	4.7MF 20% 50V			C1444	NCB31CK-223X	C CAPACITOR		
	C 709	QETN1HM-475Z	E CAPACITOR	4.7MF 20% 50V			C1445	NCB31CK-223X	C CAPACITOR		
	C 713	NCB21HK-103X	C CAPACITOR				C1446	NCB31HK-221X	C CAPACITOR		
	C 714	NCB21HK-103X	C CAPACITOR				C1447	QETN1HM-475Z	E CAPACITOR	4.7MF 20% 50V	
	C 715	NCB21HK-103X	C CAPACITOR				C1453	QETN1HM-475Z	E CAPACITOR	4.7MF 20% 50V	
	C 716	NCB21HK-103X	C CAPACITOR				C1459	QETN1HM-475Z	E CAPACITOR	4.7MF 20% 50V	
	C 717	NCB21HK-103X	C CAPACITOR				C1460	NCB31CK-223X	C CAPACITOR		
	C 718	NCB21HK-103X	C CAPACITOR				C1461	NCB31CK-223X	C CAPACITOR		
	C 719	NCB21HK-103X	C CAPACITOR				D 701	1SS355-X	DIODE		
	C 720	NCB31CK-104X	C CAPACITOR				D 702	1SS355-X	DIODE		
	C 721	NCB31CK-104X	C CAPACITOR				D 719	SLR-342VC-T	LED		
	C 722	QCZ0202-155Z	ML C CAPACITOR	1.5MF			DI701	QLF0082-001	FL TUBE		
	C 730	NCB31CK-104X	C CAPACITOR				D1401	MTZJ13C-T2	ZENER DIODE		
	CN402	QGF1205C1-25	CONNECTOR				D1402	MTZJ6.2C-T2	Z DIODE		
	CN403	QGA2001C1-04	4P PLUG ASSY				D1403	MTZJ5.6C-T2	ZENER DIODE		
	CN411	QGB2501J1-12	CONNECTOR				D1404	MTZJ5.6C-T2	ZENER DIODE		
	CN412	QGB2501J1-04	CONNECTOR				D1405	MTZJ13C-T2	ZENER DIODE		
	CN421	QGB2510J1-14	CONNECTOR				D1406	MTZJ10C-T2	Z DIODE		
	CN431	QGB2510J1-11	CONNECTOR				D1407	MTZJ7.5C-T2	ZENER DIODE		
	CN441	QGB2510J1-07	CONNECTOR				D1408	MTZJ7.5C-T2	ZENER DIODE		
	CN451	QGB2510K1-11	CONNECTOR				D1409	1SS355-X	DIODE		
	CN471	QGA2501C1-03	3P CONNECTOR				D1410	1SS355-X	DIODE		
	CN472	QGA2501C1-02	2P CONNECTOR				D1411	1SS355-X	DIODE		
	CN473	QGA2501C1-03	3P CONNECTOR				D1412	1SS355-X	DIODE		
	CN481	QGB2510J1-20	CONNECTOR				D1413	1SR35-400A-T5	DIODE		
	CN491	QGB2510J1-04	CONNECTOR				EP401	QNZ0136-001Z	EARTH PLATE		
	CN701	QGF1205F1-14	CONNECTOR				FL401	QQR0590-001	FILTER		
	CN702	QGF1205F1-25	CONNECTOR				FL402	QQR0590-001	FILTER		
	CN703	WJS0021-001A	SIN CR C-B WIRE				HS401	E70306-001	HEAT SINK		
	CN704	WJS0020-001A	SKT.WIRE ASS'Y				HS402	E70306-001	HEAT SINK		
	CN714	QGA2001C1-03	3P PLUG ASSY				HS403	E70306-001	HEAT SINK		
	C1401	QETN1HM-476Z	E CAPACITOR	47MF 20% 50V			HS404	E70306-001	HEAT SINK		
	C1402	QETN1EM-107Z	E CAPACITOR	100MF 20% 25V			HS405	E70306-001	HEAT SINK		
	C1403	QETN1EM-107Z	E CAPACITOR	100MF 20% 25V			HS434	E70306-001	HEAT SINK		
	C1404	QETN1EM-107Z	E CAPACITOR	100MF 20% 25V			HS435	E70306-001	HEAT SINK		
	C1405	QETN1EM-107Z	E CAPACITOR	100MF 20% 25V			IC423	TC9162AF-X	IC		
	C1406	QETN1EM-107Z	E CAPACITOR	100MF 20% 25V			IC427	BA15218F-XE	IC		
	C1407	QCF31HZ-223Z	C CAPACITOR	.022MF +80:-20%			IC428	M62446FP-X	IC		
	C1408	QETN1EM-476Z	E CAPACITOR	47MF 20% 25V			IC701	MN101C35DHK1	IC		
	C1409	QETN1EM-476Z	E CAPACITOR	47MF 20% 25V			IC702	IC-PST9139-T	IC		
	C1410	NCB31CK-223X	C CAPACITOR				IC703	GP1U281X	IC		
	C1411	NCB31CK-223X	C CAPACITOR				J 404	QNN0389-001	PIN JACK	DVD-FL/FR	
	C1420	QEKC1HM-475Z	E CAPACITOR	4.7MF 20% 50V			J 406	QNN0060-001	PIN JACK	SW OUT	
	C1421	QEKC1HM-475Z	E CAPACITOR	4.7MF 20% 50V			JS701	QSW0898-001	JOG VOLUME		
	C1422	QETN1HM-475Z	E CAPACITOR	4.7MF 20% 50V			Q 701	DTC114YKA-X	D TRANSISTOR		
	C1423	QEKC1HM-475Z	E CAPACITOR	4.7MF 20% 50V			Q 702	DTC114TKA-X	TRANSISTOR		
	C1424	QEKC1HM-475Z	E CAPACITOR	4.7MF 20% 50V			Q 703	DTC144WKA-X	TRANSISTOR		
	C1425	QETN1AM-107Z	E CAPACITOR	100MF 20% 10V			Q 704	DTC114YKA-X	D TRANSISTOR		
	C1426	NCB31CK-223X	C CAPACITOR				Q 707	DTC114YKA-X	D TRANSISTOR		
	C1427	QFVF1HJ-334Z	MF CAPACITOR	.33MF 5% 50V			Q 708	DTC114YKA-X	D TRANSISTOR		

■ Electrical parts list (System control & Audio board) Block No. 03

△	Item	Parts number	Parts name	Remarks	Area	△	Item	Parts number	Parts name	Remarks	Area
	Q 709	DTC114YKA-X	D TRANSISTOR				R 712	NRSA63J-103X	MG RESISTOR		
	Q 711	DTA144EKA-X	TRANSISTOR				R 713	NRSA63J-103X	MG RESISTOR		
△	Q1401	KTA1046/Y/	TRANSISTOR				R 714	NRSA63J-103X	MG RESISTOR		
△	Q1402	2SD2395/EF/	TRANSISTOR				R 715	NRSA63J-103X	MG RESISTOR		
△	Q1403	2SD2395/EF/	TRANSISTOR				R 716	NRSA63J-103X	MG RESISTOR		
△	Q1404	2SD2395/EF/	TRANSISTOR				R 717	NRSA63J-103X	MG RESISTOR		
△	Q1405	2SD2395/EF/	TRANSISTOR				R 718	NRSA63J-103X	MG RESISTOR		
△	Q1406	KTC3203/OY/-T	TRANSISTOR				R 719	NRSA63J-221X	MG RESISTOR		
△	Q1407	KTC3203/OY/-T	TRANSISTOR				R 720	NRSA63J-222X	MG RESISTOR		
△	Q1408	KTA1271/OY/-T	TRANSISTOR				R 721	NRSA63J-103X	MG RESISTOR		
	Q1413	2SC3576-JVC-T	TRANSISTOR				R 722	NRSA63J-102X	MG RESISTOR		
	Q1414	2SC3576-JVC-T	TRANSISTOR				R 723	NRSA63J-102X	MG RESISTOR		
	Q1417	2SC3576-JVC-T	TRANSISTOR				R 724	NRSA63J-122X	MG RESISTOR		
	Q1418	2SC3576-JVC-T	TRANSISTOR				R 725	NRSA63J-152X	MG RESISTOR		
	Q1419	2SC3576-JVC-T	TRANSISTOR				R 726	NRSA63J-222X	MG RESISTOR		
	Q1420	KRA104M-T	D TRANSISTOR				R 727	NRSA63J-272X	MG RESISTOR		
	Q1421	2SC3576-JVC-T	TRANSISTOR				R 728	NRSA63J-103X	MG RESISTOR		
	Q1422	2SC3576-JVC-T	TRANSISTOR				R 729	NRSA63J-102X	MG RESISTOR		
	Q1423	KRA104M-T	D TRANSISTOR				R 730	NRSA63J-102X	MG RESISTOR		
	Q1424	KRA104M-T	D TRANSISTOR				R 731	NRSA63J-122X	MG RESISTOR		
	Q1425	2SC3576-JVC-T	TRANSISTOR				R 732	NRSA63J-152X	MG RESISTOR		
	Q1426	2SC3576-JVC-T	TRANSISTOR				R 733	NRSA63J-222X	MG RESISTOR		
	Q1431	KRC104M-T	D TRANSISTOR				R 734	NRSA63J-272X	MG RESISTOR		
	Q1432	KRC104M-T	D TRANSISTOR				R 736	NRSA63J-103X	MG RESISTOR		
	Q1433	KRC104M-T	D TRANSISTOR				R 737	NRSA63J-102X	MG RESISTOR		
△	Q1434	2SD2395/EF/	TRANSISTOR				R 738	NRSA63J-102X	MG RESISTOR		
△	Q1435	2SD2395/EF/	TRANSISTOR				R 739	NRSA63J-122X	MG RESISTOR		
	R 451	NRSA63J-471X	MG RESISTOR				R 740	NRSA63J-152X	MG RESISTOR		
	R 452	NRSA63J-471X	MG RESISTOR				R 741	NRSA63J-222X	MG RESISTOR		
	R 475	NRSA63J-203X	MG RESISTOR				R 742	NRSA63J-272X	MG RESISTOR		
	R 476	NRSA63J-273X	MG RESISTOR				R 743	NRSA63J-103X	MG RESISTOR		
△	R 477	QRZ9006-4R7X	F RESISTOR	4.7 1/0W			R 744	NRSA63J-102X	MG RESISTOR		
△	R 478	QRJ146J-2R2X	UNF C RESISTOR	2.2 5% 1/4W			R 745	NRSA63J-102X	MG RESISTOR		
△	R 479	QRJ146J-2R2X	UNF C RESISTOR	2.2 5% 1/4W			R 746	NRSA63J-122X	MG RESISTOR		
	R 480	NRSA63J-153X	MG RESISTOR				R 747	NRSA63J-152X	MG RESISTOR		
	R 483	NRSA63J-102X	MG RESISTOR				R 748	NRSA63J-222X	MG RESISTOR		
	R 484	NRSA63J-104X	MG RESISTOR				R 749	NRSA63J-272X	MG RESISTOR		
	R 485	NRSA63J-102X	MG RESISTOR				R 750	NRSA63J-103X	MG RESISTOR		
	R 486	NRSA63J-104X	MG RESISTOR				R 751	NRSA63J-102X	MG RESISTOR		
	R 487	NRSA63J-102X	MG RESISTOR				R 752	NRSA63J-102X	MG RESISTOR		
	R 488	NRSA63J-104X	MG RESISTOR				R 753	NRSA63J-122X	MG RESISTOR		
	R 489	NRSA63J-562X	MG RESISTOR				R 754	NRSA63J-152X	MG RESISTOR		
	R 490	NRSA63J-562X	MG RESISTOR				R 757	NRSA63J-103X	MG RESISTOR		
	R 491	NRSA63J-153X	MG RESISTOR				R 758	NRSA63J-103X	MG RESISTOR		
	R 492	NRSA63J-273X	MG RESISTOR				R 759	NRSA63J-103X	MG RESISTOR		
	R 493	NRSA63J-273X	MG RESISTOR				R 760	NRSA63J-103X	MG RESISTOR		
	R 494	NRSA63J-273X	MG RESISTOR				R 761	NRSA63J-103X	MG RESISTOR		
	R 495	NRSA63J-273X	MG RESISTOR				R 762	NRSA63J-102X	MG RESISTOR		
	R 496	NRSA63J-273X	MG RESISTOR				R 763	NRSA63J-102X	MG RESISTOR		
	R 497	NRSA63J-273X	MG RESISTOR				R 768	NRSA63J-103X	MG RESISTOR		
	R 498	NRSA63J-273X	MG RESISTOR				R 769	NRSA63J-102X	MG RESISTOR		
	R 499	NRSA63J-273X	MG RESISTOR				R 772	NRSA63J-392X	MG RESISTOR		
	R 701	NRSA63J-472X	MG RESISTOR				R 773	NRSA63J-392X	MG RESISTOR		
	R 702	NRSA63J-223X	MG RESISTOR				R 775	NRSA63J-103X	MG RESISTOR		
	R 703	NRSA63J-103X	MG RESISTOR				R 780	NRSA63J-221X	MG RESISTOR		
	R 704	NRSA63J-471X	MG RESISTOR				R 781	NRSA63J-221X	MG RESISTOR		
	R 705	NRSA63J-103X	MG RESISTOR				R 782	NRSA63J-221X	MG RESISTOR		
	R 706	NRSA63J-103X	MG RESISTOR				R 783	NRSA63J-221X	MG RESISTOR		
	R 707	NRSA63J-103X	MG RESISTOR				R 784	NRSA63J-221X	MG RESISTOR		
	R 708	NRSA63J-103X	MG RESISTOR				R 785	NRSA63J-221X	MG RESISTOR		
	R 709	NRSA63J-103X	MG RESISTOR				R 786	NRSA63J-221X	MG RESISTOR		
	R 710	NRSA63J-103X	MG RESISTOR				R 787	NRSA63J-221X	MG RESISTOR		
	R 711	NRSA63J-104X	MG RESISTOR				R 788	NRSA63J-221X	MG RESISTOR		

■ Electrical parts list (System control & Audio board) Block No. 03

△	Item	Parts number	Parts name	Remarks	Area	△	Item	Parts number	Parts name	Remarks	Area
	R 789	NRSA63J-221X	MG RESISTOR				R1474	NRSA63J-102X	MG RESISTOR		
	R 790	NRSA63J-221X	MG RESISTOR				R1480	NRSA63J-104X	MG RESISTOR		
	R 791	NRSA63J-221X	MG RESISTOR				R1490	NRSA63J-273X	MG RESISTOR		
	R 792	NRSA63J-221X	MG RESISTOR				R1492	NRSA63J-102X	MG RESISTOR		
	R 793	NRSA63J-221X	MG RESISTOR				R1493	NRSA63J-102X	MG RESISTOR		
	R 794	NRSA63J-221X	MG RESISTOR				R1494	NRSA63J-102X	MG RESISTOR		
	R 795	NRSA63J-221X	MG RESISTOR				R1495	NRSA63J-103X	MG RESISTOR		
	R 796	NRSA63J-221X	MG RESISTOR				R1496	NRSA63J-103X	MG RESISTOR		
	R 797	NRSA63J-221X	MG RESISTOR				R1497	NRSA63J-511X	MG RESISTOR		
	R 798	NRSA63J-221X	MG RESISTOR				R1498	NRSA63J-511X	MG RESISTOR		
	R 799	NRSA63J-221X	MG RESISTOR				R1499	NRSA63J-104X	MG RESISTOR		
△	R1401	QRZ9005-100X	F RESISTOR	10 1/0W			S 721	QSW0683-001Z	PUSH SWITCH	TUNING+	
△	R1402	QRJ146J-182X	UNF C RESISTOR	1.8K 5% 1/4W			S 722	QSW0683-001Z	PUSH SWITCH	TUNING-	
△	R1403	QRZ9005-120X	F RESISTOR	12 1/0W			S 723	QSW0683-001Z	PUSH SWITCH	PRESET+	
△	R1404	QRJ146J-272X	UNF C RESISTOR	2.7K 5% 1/4W			S 724	QSW0683-001Z	PUSH SWITCH	PRESET-	
△	R1405	QRZ9005-120X	F RESISTOR	12 1/0W			S 725	QSW0683-001Z	PUSH SWITCH	FM MODE	
△	R1406	QRK126J-682X	UNF C RESISTOR	6.8K 5% 1/2W			S 726	QSW0683-001Z	PUSH SWITCH	MEMORY	
△	R1407	QRZ9006-4R7X	F RESISTOR	4.7 1/0W			S 727	QSW0683-001Z	PUSH SWITCH	POWER	
△	R1408	QRZ9006-4R7X	F RESISTOR	4.7 1/0W			S 728	QSW0683-001Z	PUSH SWITCH	SURROUND	
△	R1409	QRJ146J-272X	UNF C RESISTOR	2.7K 5% 1/4W			S 729	QSW0683-001Z	PUSH SWITCH	DSP MODE	
△	R1410	QRZ9006-4R7X	F RESISTOR	4.7 1/0W			S 732	QSW0683-001Z	PUSH SWITCH	SPK1	
△	R1411	QRJ146J-182X	UNF C RESISTOR	1.8K 5% 1/4W			S 740	QSW0683-001Z	PUSH SWITCH	TV/DBS	
△	R1412	QRZ9005-100X	F RESISTOR	10 1/0W			S 741	QSW0683-001Z	PUSH SWITCH	FM/AM	
△	R1413	QRJ146J-102X	UNF C RESISTOR	1.0K 5% 1/4W			S 742	QSW0683-001Z	PUSH SWITCH	ADJUST	
△	R1414	QRZ9005-100X	F RESISTOR	10 1/0W			S 743	QSW0683-001Z	PUSH SWITCH	SETTING	
△	R1415	QRJ146J-222X	UNF C RESISTOR	2.2K 5% 1/4W			S 744	QSW0683-001Z	PUSH SWITCH	+	
△	R1416	QRZ9005-100X	F RESISTOR	10 1/0W			S 745	QSW0683-001Z	PUSH SWITCH	-	
△	R1417	QRJ146J-222X	UNF C RESISTOR	2.2K 5% 1/4W			S 746	QSW0683-001Z	PUSH SWITCH	EON	
△	R1418	QRZ9005-680X	F RESISTOR	68 1/0W			S 747	QSW0683-001Z	PUSH SWITCH	PTY	
△	R1419	QRZ9005-680X	F RESISTOR	68 1/0W			S 748	QSW0683-001Z	PUSH SWITCH	TA/NEWS/INFO	
	R1435	NRSA63J-154X	MG RESISTOR				S 749	QSW0683-001Z	PUSH SWITCH	DISPLAY	
	R1436	NRSA63J-154X	MG RESISTOR				S 751	QSW0683-001Z	PUSH SWITCH	DIGITAL	
	R1437	NRSA63J-102X	MG RESISTOR				S 752	QSW0683-001Z	PUSH SWITCH	ANALOG	
	R1438	NRSA63J-102X	MG RESISTOR				S 754	QSW0683-001Z	PUSH SWITCH	DVD	
	R1439	NRSA63J-103X	MG RESISTOR				S 755	QSW0683-001Z	PUSH SWITCH	CD	
	R1440	NRSA63J-103X	MG RESISTOR				S 756	QSW0683-001Z	PUSH SWITCH	VCR	
	R1442	NRSA63J-104X	MG RESISTOR				S 757	QSW0683-001Z	PUSH SWITCH	TAPE/CDR	
	R1444	NRSA63J-103X	MG RESISTOR				X 701	QAX0246-001Z	RESONATOR		
	R1445	NRSA63J-102X	MG RESISTOR								
	R1446	NRSA63J-104X	MG RESISTOR								
	R1447	NRSA63J-102X	MG RESISTOR								
	R1448	NRSA63J-103X	MG RESISTOR								
	R1449	NRSA63J-102X	MG RESISTOR								
	R1450	NRSA63J-103X	MG RESISTOR								
	R1451	NRSA63J-104X	MG RESISTOR								
	R1452	NRSA63J-104X	MG RESISTOR								
	R1453	NRSA63J-102X	MG RESISTOR								
	R1454	NRSA63J-104X	MG RESISTOR								
	R1455	NRSA63J-104X	MG RESISTOR								
△	R1456	QRJ146J-220X	UNF C RESISTOR	22 5% 1/4W							
	R1457	NRSA63J-472X	MG RESISTOR								
	R1458	NRSA63J-472X	MG RESISTOR								
△	R1459	QRZ9005-680X	F RESISTOR	68 1/0W							
△	R1460	QRZ9005-680X	F RESISTOR	68 1/0W							
△	R1461	QRJ146J-2R2X	UNF C RESISTOR	2.2 5% 1/4W							
△	R1462	QRJ146J-2R2X	UNF C RESISTOR	2.2 5% 1/4W							
	R1463	NRSA63J-104X	MG RESISTOR								
	R1464	NRSA63J-104X	MG RESISTOR								
	R1465	NRSA63J-102X	MG RESISTOR								
	R1470	NRSA63J-391X	MG RESISTOR								
	R1471	NRSA63J-391X	MG RESISTOR								
	R1472	NRSA63J-103X	MG RESISTOR								
	R1473	NRSA63J-103X	MG RESISTOR								

■ Electrical parts list (DSP board)

Block No. 04

△	Item	Parts number	Parts name	Remarks	Area	△	Item	Parts number	Parts name	Remarks	Area
	C 601	NCB31HK-102X	C CAPACITOR				C2514	NCB31HK-122X	C CAPACITOR		
	C 602	NCB31HK-102X	C CAPACITOR				C2515	NCS31HJ-121X	C CAPACITOR		
	C 603	QETN0JM-107Z	E CAPACITOR	100MF 20% 6.3V			C2516	NCS31HJ-121X	C CAPACITOR		
	C 604	QETN0JM-107Z	E CAPACITOR	100MF 20% 6.3V			C2517	NCS31HJ-391X	C CAPACITOR		
	C 605	NCF31CZ-104X	C CAPACITOR				C2518	NCS31HJ-391X	C CAPACITOR		
	C 606	NCF31CZ-104X	C CAPACITOR				C2525	NCB31HK-102X	C CAPACITOR		
	C 607	QETN1CM-107Z	E CAPACITOR	100MF 20% 16V			C2526	NCB31HK-102X	C CAPACITOR		
	C 608	NCF31CZ-104X	C CAPACITOR				C2527	QETN1HM-106Z	E CAPACITOR	10MF 20% 50V	
	C 609	NCF31CZ-104X	C CAPACITOR				C2528	QETN1HM-106Z	E CAPACITOR	10MF 20% 50V	
	C 610	QETN0JM-107Z	E CAPACITOR	100MF 20% 6.3V			C2531	NCS31HJ-560X	C CAPACITOR		
	C 611	QETN0JM-107Z	E CAPACITOR	100MF 20% 6.3V			C2532	NCS31HJ-560X	C CAPACITOR		
	C 612	NCB31CK-103X	C CAPACITOR				C2533	QETN1HM-475Z	E CAPACITOR	4.7MF 20% 50V	
	C 621	QETN1HM-105Z	E CAPACITOR	1.0MF 20% 50V			C2534	QETN1HM-475Z	E CAPACITOR	4.7MF 20% 50V	
	C 622	NCB31HK-101X	C CAPACITOR				C2539	NCF31CZ-104X	C CAPACITOR		
	C 624	NCF31CZ-104X	C CAPACITOR				C2540	NCF31CZ-104X	C CAPACITOR		
	C 626	NCB31CK-104X	C CAPACITOR				C2551	NCS31HJ-560X	C CAPACITOR		
	C 627	NCF31AZ-105X	C CAPACITOR				C2552	NCS31HJ-560X	C CAPACITOR		
	C 628	NCB31CK-103X	C CAPACITOR				C2555	NCF31CZ-104X	C CAPACITOR		
	C 631	QETN0JM-107Z	E CAPACITOR	100MF 20% 6.3V			C2556	NCF31CZ-104X	C CAPACITOR		
	C 632	NCB31CK-103X	C CAPACITOR				C2561	QETN1HM-105Z	E CAPACITOR	1.0MF 20% 50V	
	C 633	NCF31CZ-104X	C CAPACITOR				C2562	QETN1HM-105Z	E CAPACITOR	1.0MF 20% 50V	
	C 634	NCF31CZ-104X	C CAPACITOR				C2563	NCS31HJ-220X	C CAPACITOR		
	C 635	NCF31CZ-104X	C CAPACITOR				C2564	NCS31HJ-220X	C CAPACITOR		
	C 636	NCB31CK-473X	C CAPACITOR				C2569	NCF31CZ-104X	C CAPACITOR		
	C 638	QETN0JM-107Z	E CAPACITOR	100MF 20% 6.3V			C2570	NCF31CZ-104X	C CAPACITOR		
	C 639	NCB31CK-103X	C CAPACITOR				C2575	NCB31HK-102X	C CAPACITOR		
	C 641	QETN0JM-107Z	E CAPACITOR	100MF 20% 6.3V			C2576	NCB31HK-102X	C CAPACITOR		
	C 642	NCB31CK-103X	C CAPACITOR				C2577	QETN1HM-106Z	E CAPACITOR	10MF 20% 50V	
	C 643	NCB31AK-474X	C CAPACITOR				C2578	QETN1HM-106Z	E CAPACITOR	10MF 20% 50V	
	C 644	NCB31CK-103X	C CAPACITOR				C2581	QETN1HM-105Z	E CAPACITOR	1.0MF 20% 50V	
	C 645	NCS31HJ-101X	C CAPACITOR				C2582	QETN1CM-106Z	E CAPACITOR	10MF 20% 16V	
	C 646	NCB31CK-103X	C CAPACITOR				C2583	NCS31HJ-220X	C CAPACITOR		
	C 647	NCS31HJ-220X	C CAPACITOR				C2584	NCS31HJ-560X	C CAPACITOR		
	C 648	NCS31HJ-180X	C CAPACITOR				C2585	NCF31CZ-104X	C CAPACITOR		
	C 649	NCS31HJ-121X	C CAPACITOR				C2586	NCF31CZ-104X	C CAPACITOR		
	C 653	NCB31CK-104X	C CAPACITOR				C2587	NCS31HJ-560X	C CAPACITOR		
	C 654	QETN0JM-107Z	E CAPACITOR	100MF 20% 6.3V			C2588	QETN1HM-475Z	E CAPACITOR	4.7MF 20% 50V	
	C 661	NCB31CK-103X	C CAPACITOR				C2589	NCF31CZ-104X	C CAPACITOR		
	C 671	NCB31CK-103X	C CAPACITOR				C2590	NCF31CZ-104X	C CAPACITOR		
	C 672	QETN0JM-107Z	E CAPACITOR	100MF 20% 6.3V			C2592	NCB31HK-223X	C CAPACITOR		
	C 673	NCB31CK-103X	C CAPACITOR				C2594	NCF31CZ-104X	C CAPACITOR		
	C 677	NCB31HK-101X	C CAPACITOR				C2595	NCB31HK-102X	C CAPACITOR		
	C 679	NCB31HK-101X	C CAPACITOR				C2597	QETN1HM-106Z	E CAPACITOR	10MF 20% 50V	
	C 681	NCB31CK-103X	C CAPACITOR				C2598	QETN1HM-475Z	E CAPACITOR	4.7MF 20% 50V	
	C 682	NCB31CK-103X	C CAPACITOR				D 607	1SS355-X	DIODE		
	C 683	NCB31CK-103X	C CAPACITOR				D 608	1SS355-X	DIODE		
	C 684	QETN0JM-107Z	E CAPACITOR	100MF 20% 6.3V			IC601	AK4527BVQ	IC		
	C 685	QETN1CM-476Z	E CAPACITOR	47MF 20% 16V			IC609	BA15218F-XE	IC		
	C 686	QETN1CM-476Z	E CAPACITOR	47MF 20% 16V			IC610	BA15218F-XE	IC		
	C 687	NCB31CK-103X	C CAPACITOR				IC611	BU4066BCF-X	IC		
	C 688	QETN0JM-107Z	E CAPACITOR	100MF 20% 6.3V			IC621	TC7SU04FU-X	IC		
	C 689	NCB31CK-103X	C CAPACITOR				IC622	TC7SU04FU-X	IC		
	C 690	QETN0JM-107Z	E CAPACITOR	100MF 20% 6.3V			IC631	TC9446F-014	IC		
	C 693	NCB31CK-103X	C CAPACITOR				IC641	W24L010AJ-12-X	IC		
	C 694	NCB31CK-103X	C CAPACITOR				IC650	BA15218F-XE	IC		
	CN681	QGB2510K1-20	B TO B CONNECTOR				IC651	BA15218F-XE	IC		
	C2500	QETN1CM-226Z	E CAPACITOR	22MF 20% 16V			IC652	IMX9-W	TRANSISTOR		
	C2503	QETN1HM-475Z	E CAPACITOR	4.7MF 20% 50V			IC661	BA15218F-XE	IC		
	C2504	QETN1HM-475Z	E CAPACITOR	4.7MF 20% 50V			IC662	IMX9-W	TRANSISTOR		
	C2507	NCS31HJ-330X	C CAPACITOR				IC671	UPD784215AGC103	IC		
	C2508	NCS31HJ-330X	C CAPACITOR				IC672	TC7SET32FU-X	IC		
	C2512	NCF31CZ-104X	C CAPACITOR				IC681	PQ3DZ53-X	IC		
	C2513	NCB31HK-122X	C CAPACITOR				IC682	IMX9-W	TRANSISTOR		

■ Electrical parts list (DSP board)

Block No. 04

△	Item	Parts number	Parts name	Remarks	Area	△	Item	Parts number	Parts name	Remarks	Area
	IC683	RN5RZ33BA-X	IC				R 681	NRSA63J-103X	MG RESISTOR		
	IC690	BA15218F-XE	IC				R 682	NRSA63J-103X	MG RESISTOR		
	IC691	BA15218F-XE	IC				R 683	NRSA63J-0R0X	MG RESISTOR		
	J 601	QNN0347-001	PIN JACK				R 684	NRSA63J-0R0X	MG RESISTOR		
	K 601	NQR0269-004X	FERRITE BEADS				R 685	NRSA63J-103X	MG RESISTOR		
	K 681	NQR0319-001X	F BEADS				R 686	NRSA63J-151X	MG RESISTOR		
	K 682	NQR0319-001X	F BEADS				R 688	NRSA63J-0R0X	MG RESISTOR		
	K 687	NQR0319-001X	F BEADS				R 691	NRSA63J-221X	MG RESISTOR		
	K 688	NQR0319-001X	F BEADS				R 692	NRSA63J-221X	MG RESISTOR		
	LC631	NQR0321-001X	EMI FILTER				R 693	NRSA63J-221X	MG RESISTOR		
	Q 607	DTA144EKA-X	TRANSISTOR				R 694	NRSA63J-221X	MG RESISTOR		
	Q 670	DTC114YE-X	TRANSISTOR				R 695	NRSA63J-221X	MG RESISTOR		
	Q 671	2SD2114K/VW/-X	CHIP TRANSISTOR				R 696	NRSA63J-221X	MG RESISTOR		
	Q 672	DTC114YE-X	TRANSISTOR				R2500	NRSA63J-102X	MG RESISTOR		
	Q 673	DTA144EKA-X	TRANSISTOR				R2501	NRSA63J-104X	MG RESISTOR		
	Q2501	DTA144EKA-X	TRANSISTOR				R2502	NRSA63J-104X	MG RESISTOR		
	R 600	NRSA63J-0R0X	MG RESISTOR				R2507	NRSA63J-223X	MG RESISTOR		
	R 601	NRSA63J-473X	MG RESISTOR				R2508	NRSA63J-223X	MG RESISTOR		
	R 602	NRSA63J-473X	MG RESISTOR				R2509	NRSA63J-223X	MG RESISTOR		
	R 603	NRSA63J-473X	MG RESISTOR				R2510	NRSA63J-223X	MG RESISTOR		
	R 606	NRSA63J-221X	MG RESISTOR				R2511	NRSA63J-103X	MG RESISTOR		
	R 607	NRSA63J-221X	MG RESISTOR				R2512	NRSA63J-103X	MG RESISTOR		
	R 608	NRSA63J-221X	MG RESISTOR				R2513	NRSA63J-103X	MG RESISTOR		
	R 609	NRSA63J-221X	MG RESISTOR				R2514	NRSA63J-103X	MG RESISTOR		
	R 611	NRSA63J-221X	MG RESISTOR				R2515	NRSA63J-103X	MG RESISTOR		
	R 612	NRSA63J-221X	MG RESISTOR				R2516	NRSA63J-103X	MG RESISTOR		
	R 613	NRSA63J-822X	MG RESISTOR				R2517	NRSA63J-103X	MG RESISTOR		
	R 615	NRSA63J-432X	MG RESISTOR				R2518	NRSA63J-103X	MG RESISTOR		
	R 617	NRSA63J-103X	MG RESISTOR				R2519	NRSA63J-331X	MG RESISTOR		
	R 618	NRSA63J-103X	MG RESISTOR				R2520	NRSA63J-331X	MG RESISTOR		
	R 621	NRSA63J-221X	MG RESISTOR				R2521	NRSA63J-331X	MG RESISTOR		
	R 622	NRSA63J-750X	MG RESISTOR				R2522	NRSA63J-331X	MG RESISTOR		
	R 623	NRSA63J-101X	MG RESISTOR				R2525	NRSA63J-102X	MG RESISTOR		
	R 627	NRSA63J-472X	MG RESISTOR				R2526	NRSA63J-102X	MG RESISTOR		
	R 628	NRSA63J-183X	MG RESISTOR				R2527	NRSA63J-104X	MG RESISTOR		
	R 632	NRSA63J-0R0X	MG RESISTOR				R2528	NRSA63J-104X	MG RESISTOR		
	R 639	NRSA63J-472X	MG RESISTOR				R2529	NRSA63J-103X	MG RESISTOR		
	R 640	NRSA63J-0R0X	MG RESISTOR				R2530	NRSA63J-103X	MG RESISTOR		
	R 641	NRSA63J-102X	MG RESISTOR				R2531	NRSA63J-752X	MG RESISTOR		
	R 642	NRSA63J-103X	MG RESISTOR				R2532	NRSA63J-752X	MG RESISTOR		
	R 643	NRSA63J-101X	MG RESISTOR				R2533	NRSA63J-103X	MG RESISTOR		
	R 644	NRSA63J-563X	MG RESISTOR				R2534	NRSA63J-103X	MG RESISTOR		
	R 645	NRSA63J-102X	MG RESISTOR				R2535	NRSA63J-103X	MG RESISTOR		
	R 646	NRSA63J-103X	MG RESISTOR				R2536	NRSA63J-103X	MG RESISTOR		
	R 647	NRSA63J-225X	MG RESISTOR				R2537	NRSA63J-104X	MG RESISTOR		
	R 648	NRSA63J-472X	MG RESISTOR				R2538	NRSA63J-104X	MG RESISTOR		
	R 657	NRSA63J-103X	MG RESISTOR				R2550	NRSA63J-272X	MG RESISTOR		
	R 661	NRSA63J-221X	MG RESISTOR				R2551	NRSA63J-103X	MG RESISTOR		
	R 662	NRSA63J-221X	MG RESISTOR				R2552	NRSA63J-103X	MG RESISTOR		
	R 663	NRSA63J-221X	MG RESISTOR				R2553	NRSA63J-153X	MG RESISTOR		
	R 664	NRSA63J-221X	MG RESISTOR				R2554	NRSA63J-153X	MG RESISTOR		
	R 669	NRSA63J-103X	MG RESISTOR				R2555	NRSA63J-822X	MG RESISTOR		
	R 670	NRSA63J-103X	MG RESISTOR				R2556	NRSA63J-822X	MG RESISTOR		
	R 671	NRSA63J-103X	MG RESISTOR				R2557	NRSA63J-103X	MG RESISTOR		
	R 672	NRSA63J-105X	MG RESISTOR				R2558	NRSA63J-223X	MG RESISTOR		
	R 673	NRSA63J-432X	MG RESISTOR				R2560	NRSA63J-105X	MG RESISTOR		
	R 674	NRSA63J-432X	MG RESISTOR				R2561	NRSA63J-104X	MG RESISTOR		
	R 675	NRSA63J-432X	MG RESISTOR				R2562	NRSA63J-104X	MG RESISTOR		
	R 676	NRSA63J-432X	MG RESISTOR				R2563	NRSA63J-103X	MG RESISTOR		
	R 677	NRSA63J-822X	MG RESISTOR				R2564	NRSA63J-103X	MG RESISTOR		
	R 678	NRSA63J-822X	MG RESISTOR				R2565	NRSA63J-202X	MG RESISTOR		
	R 679	NRSA63J-822X	MG RESISTOR				R2566	NRSA63J-202X	MG RESISTOR		
	R 680	NRSA63J-822X	MG RESISTOR				R2567	NRSA63J-103X	MG RESISTOR		

■ Electrical parts list (DSP board)

Block No. 04

△	Item	Parts number	Parts name	Remarks	Area
	R2568	NRSA63J-103X	MG RESISTOR		
	R2575	NRSA63J-102X	MG RESISTOR		
	R2576	NRSA63J-102X	MG RESISTOR		
	R2577	NRSA63J-104X	MG RESISTOR		
	R2578	NRSA63J-104X	MG RESISTOR		
	R2581	NRSA63J-104X	MG RESISTOR		
	R2582	NRSA63J-104X	MG RESISTOR		
	R2583	NRSA63J-123X	MG RESISTOR		
	R2584	NRSA63J-223X	MG RESISTOR		
	R2585	NRSA63J-302X	MG RESISTOR		
	R2586	NRSA63J-332X	MG RESISTOR		
	R2587	NRSA63J-103X	MG RESISTOR		
	R2588	NRSA63J-103X	MG RESISTOR		
	R2589	NRSA63J-104X	MG RESISTOR		
	R2590	NRSA63J-333X	MG RESISTOR		
	R2592	NRSA63J-333X	MG RESISTOR		
	R2594	NRSA63J-333X	MG RESISTOR		
	R2595	NRSA63J-102X	MG RESISTOR		
	R2596	NRSA63J-102X	MG RESISTOR		
	R2597	NRSA63J-104X	MG RESISTOR		
	R2598	NRSA63J-104X	MG RESISTOR		
	UN661	GP1FA550RZ	OPT RECEIVER		
	X 631	NAX0385-001X	CRYSTAL		
	X 671	NAX0275-001X	1COSCIALLATOR		

■ Electrical parts list (Tuner board)

Block No. 05

△	Item	Parts number	Parts name	Remarks	Area	△	Item	Parts number	Parts name	Remarks	Area
	AT101	QNB0014-001	ANT TERMINAL				Q 102	2SC535/BC/-T	TRANSISTOR		
	BK 1	LV31618-001A	SHIELD BKT				Q 103	2SC461/BC/-T	TRANSISTOR		
	C 101	NCB21HK-103X	C CAPACITOR				Q 111	KTC3199/GL/-T	TRANSISTOR		
	C 103	NCB21HK-223X	C CAPACITOR				Q 112	KTC3199/GL/-T	TRANSISTOR		
	C 105	NCB21HK-223X	C CAPACITOR				Q 113	DTA114YKA-X	TRANSISTOR		
	C 107	QEKC1CM-226Z	E CAPACITOR	22MF 20% 16V			Q 121	KRA103M-T	TRANSISTOR		
	C 111	NCB21HK-473X	C CAPACITOR				R 103	NRSA02J-221X	MG RESISTOR		
	C 112	NDC21HJ-120X	C CAPACITOR				R 104	NRSA02J-272X	MG RESISTOR		
	C 113	QCSB1HJ-120Y	C CAPACITOR	12PF 5% 50V			R 105	NRSA02J-391X	MG RESISTOR		
	C 121	NDC21HJ-120X	C CAPACITOR				R 106	NRSA02J-102X	MG RESISTOR		
	C 122	NDC21HJ-120X	C CAPACITOR				R 107	NRSA02J-561X	MG RESISTOR		
	C 123	NCB21HK-473X	C CAPACITOR				R 108	NRSA02J-332X	MG RESISTOR		
	C 126	NCS21HJ-101X	C CAPACITOR				R 109	NRSA02J-221X	MG RESISTOR		
	C 128	QENC1HM-474Z	NP E CAPACITOR	.47MF 20% 50V			R 111	NRSA02J-472X	MG RESISTOR		
	C 129	NCB21HK-102X	C CAPACITOR				R 112	QRE141J-472Y	C RESISTOR	4.7K 5% 1/4W	
	C 130	QEKC1AM-107Z	E CAPACITOR	100MF 20% 10V			R 114	NRSA02J-122X	MG RESISTOR		
	C 133	QEKC1CM-226Z	E CAPACITOR	22MF 20% 16V			R 115	NRSA02J-104X	MG RESISTOR		
	C 134	NCB21HK-222X	C CAPACITOR				R 119	NRSA02J-103X	MG RESISTOR		
	C 135	NCB21HK-223X	C CAPACITOR				R 122	NRSA02J-472X	MG RESISTOR		
	C 136	QEKC1HM-105Z	E CAPACITOR	1.0MF 20% 50V			R 124	NRSA02J-222X	MG RESISTOR		
	C 137	NCS21HJ-680X	C CAPACITOR				R 126	NRSA02J-562X	MG RESISTOR		
	C 139	NCB21HK-393X	C CAPACITOR				R 127	NRSA02J-822X	MG RESISTOR		
	C 140	NCB21HK-393X	C CAPACITOR				R 128	NRSA02J-472X	MG RESISTOR		
	C 141	NCB21HK-473X	C CAPACITOR				R 129	NRSA02J-222X	MG RESISTOR		
	C 143	NCB21HK-223X	C CAPACITOR			△	R 130	QRZ9005-680X	F RESISTOR	68 1/0W	
	C 144	NCB21HK-473X	C CAPACITOR				R 132	NRSA02J-393X	MG RESISTOR		
	C 146	QEKC1HM-105Z	E CAPACITOR	1.0MF 20% 50V			R 133	NRSA02J-392X	MG RESISTOR		
	C 147	QEKC1HM-105Z	E CAPACITOR	1.0MF 20% 50V			R 134	NRSA02J-102X	MG RESISTOR		
	C 148	QEKC1HM-224Z	E CAPACITOR	.22MF 20% 50V			R 140	NRSA02J-473X	MG RESISTOR		
	C 149	QEKC1HM-105Z	E CAPACITOR	1.0MF 20% 50V			R 141	NRSA02J-102X	MG RESISTOR		
	C 150	QEKC1CM-226Z	E CAPACITOR	22MF 20% 16V			R 142	NRSA02J-470X	MG RESISTOR		
	C 156	QDGB1HK-102Y	C CAPACITOR				R 143	NRSA02J-562X	MG RESISTOR		
	C 157	NCB21HK-473X	C CAPACITOR				R 144	NRSA02J-332X	MG RESISTOR		
	C 158	QEKC1CM-226Z	E CAPACITOR	22MF 20% 16V			R 145	NRSA02J-103X	MG RESISTOR		
	C 161	QEKC1CM-106Z	E CAPACITOR	10MF 20% 16V			R 146	NRSA02J-472X	MG RESISTOR		
	C 162	QEKC1CM-106Z	E CAPACITOR	10MF 20% 16V			R 147	NRSA02J-332X	MG RESISTOR		
	C 163	NCB21HK-223X	C CAPACITOR				R 150	NRSA02J-331X	MG RESISTOR		
	C 164	NCB21HK-473X	C CAPACITOR				R 157	NRSA02J-332X	MG RESISTOR		
	C 168	QEKC1HM-105Z	E CAPACITOR	1.0MF 20% 50V			R 158	NRSA02J-332X	MG RESISTOR		
	C 184	QEKC1CM-107Z	E CAPACITOR	100MF 20% 16V			R 161	NRSA02J-102X	MG RESISTOR		
	C 185	QEKC1CM-106Z	E CAPACITOR	10MF 20% 16V			R 162	NRSA02J-102X	MG RESISTOR		
	C 186	QEKC1CM-106Z	E CAPACITOR	10MF 20% 16V			R 182	NRSA02J-103X	MG RESISTOR		
	C 191	NCS21HJ-820X	C CAPACITOR				R 183	NRSA02J-103X	MG RESISTOR		
	C 192	NCS21HJ-470X	C CAPACITOR				R 184	NRSA02J-103X	MG RESISTOR		
	C 193	NCB21HK-561X	C CAPACITOR				R 191	NRSA02J-102X	MG RESISTOR		
	C 194	NCB21HK-104X	C CAPACITOR				R 192	NRSA02J-474X	MG RESISTOR		
	C 195	NCB21HK-331X	C CAPACITOR				R 193	NRSA02J-103X	MG RESISTOR		
	C 196	QEKC1HM-225Z	E CAPACITOR	2.2MF 20% 50V			R 194	NRSA02J-103X	MG RESISTOR		
	C 197	NCB21HK-473X	C CAPACITOR				RF101	QAU0119-001	FRONT END	FOR FTZ	
	C 199	QEKC1CM-106Z	E CAPACITOR	10MF 20% 16V			T 111	QQR0871-001	COIL BLOCK		
	CF101	QAX0285-001Z	C FILTER				T 142	QQR0973-001	IFT		
	CF102	QAX0285-001Z	C FILTER				X 121	QAX0402-001	CRYSTAL		
	CF103	QAX0519-001Z	C FILTER				X 191	QAX0263-001Z	CRYSTAL		
	CN111	QGB2501K2-12	CONNECTOR								
	CN112	QGB2501K1-04	CONNECTOR								
	D 121	1SS133-T2	SI DIODE								
	D 123	1SS133-T2	SI DIODE								
	D 129	1SS133-T2	SI DIODE								
	D 131	1SS133-T2	SI DIODE								
	IC102	LA1838	IC								
	IC121	LC72136N	IC								
	IC191	SAA6588	IC(RDS)								
	L 112	QQL231K-2R7Y	INDUCTOR								

Packing materials and accessories parts list

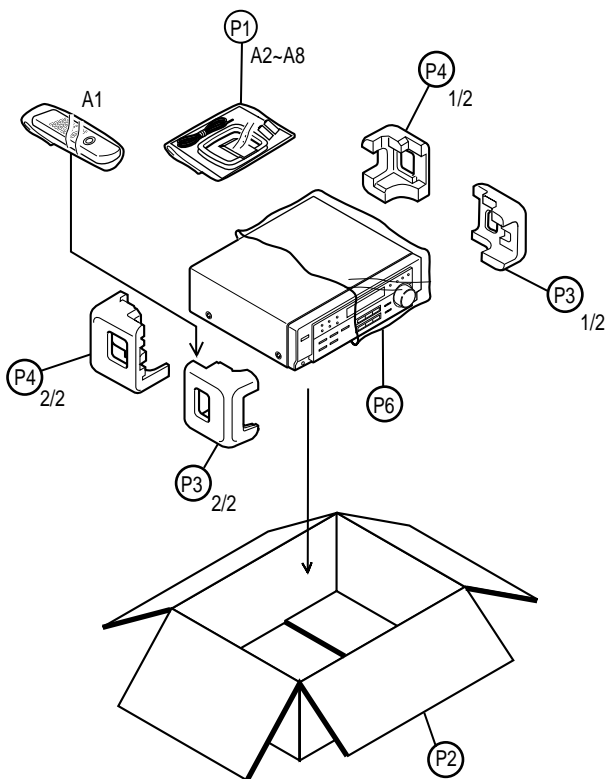
Block No.

M	2	M	M
---	---	---	---

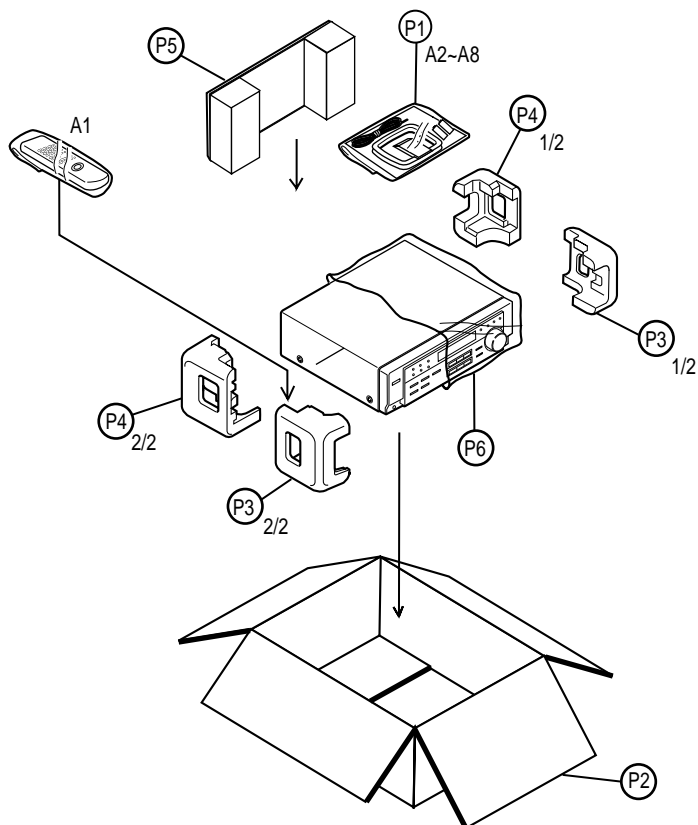
Block No.

M	3	M	M
---	---	---	---

Ver.E/EN



Ver.B



Parts list (Packing)

Block No. M2MM

△	Item	Parts number	Parts name	Q'ty	Description	Area
	P 1	QPA02503505P	POLY BAG	1	FOR INST	
	P 2	LV20983-006A	PACKING CASE	1	RX-6012RSL	B
		LV20983-005A	PACKING CASE	1	RX-6012RSL	
		LV20983-003A	PACKING CASE	1	RX-6010RBK	
	P 3	LV20925-001A	PACKING PAD	1		
	P 4	LV20926-001A	PACKING PAD	1		
	P 5	LV30385-004A	SHEET	1		B
	P 6	QPC06507015P	POLY BAG	1	FOR SET	

Parts list (Accessories)

Block No. M3MM

△	Item	Parts number	Parts name	Q'ty	Description	Area
	A 1	RM-SRX6010R	REMOCON	1	RX-6010RBK	
		RM-SRX6012R	REMOCON	1	RX-6012RSL	
	A 2	-----	BATTERY	1		
	A 3	LVT0578-006A	INST BOOK	1	FRE, SPA, ITA	EN
		LVT0578-006A	INST BOOK	1	SWE, FIN, DAN, GER	EN
		LVT0578-005A	INST BOOK	1	ENG	B
		LVT0578-004A	INST BOOK	1	GER, FRE, DUT	E
	A 4	EWP503-001C	ANT.WIRE	1		
	A 5	QAL0204-001	AM LOOP ANT	1		
	A 6	E43486-340A	BS=SAFETY INST	1		B
	A 7	VNA3000-204	REGIST.CARD	1		B
	A 8	BT-54008-2	WARRANTY CARD	1		
		BT-54013-1	WARRANTY CARD	1		E